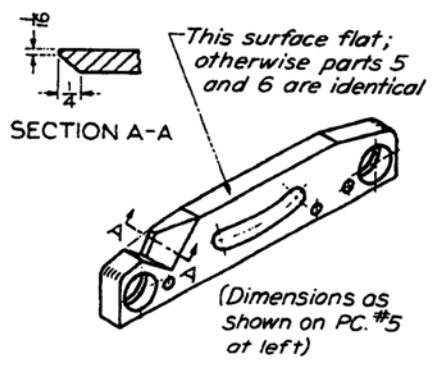
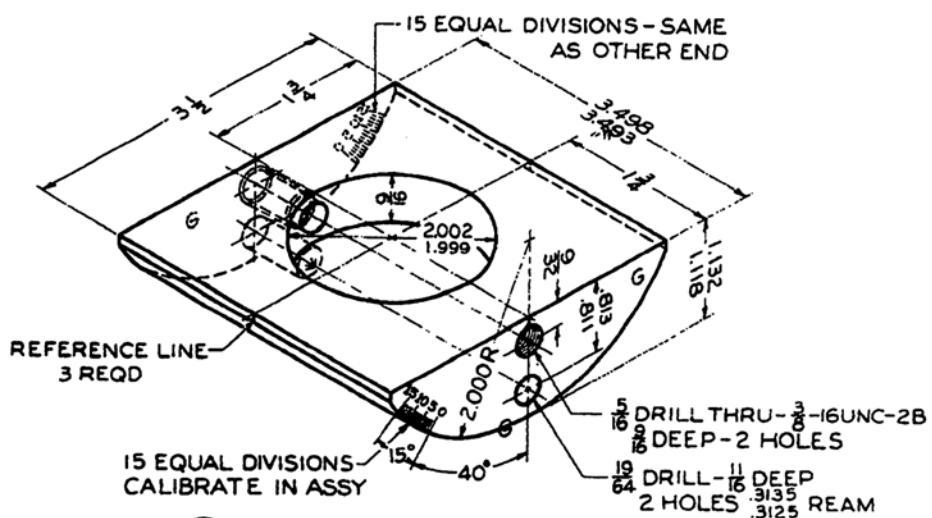


⑤ UPPER PLATE
CRS - 2 REQD

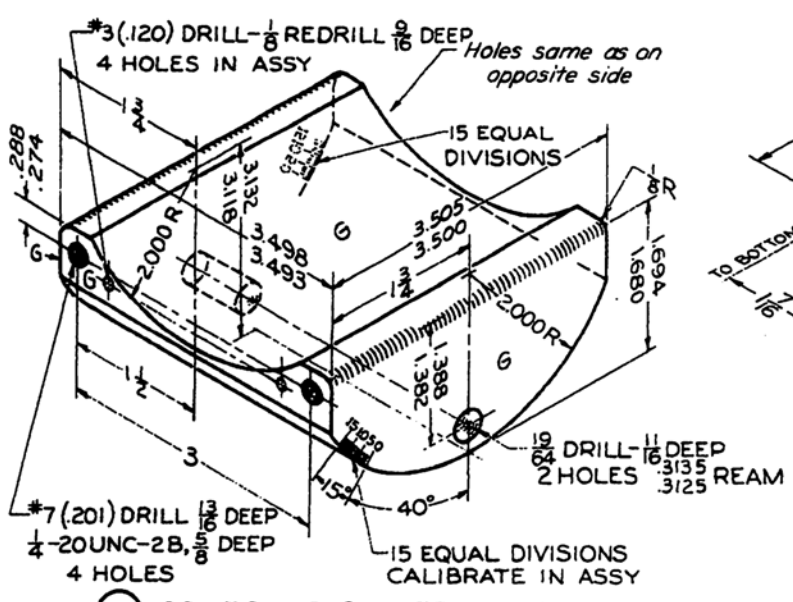
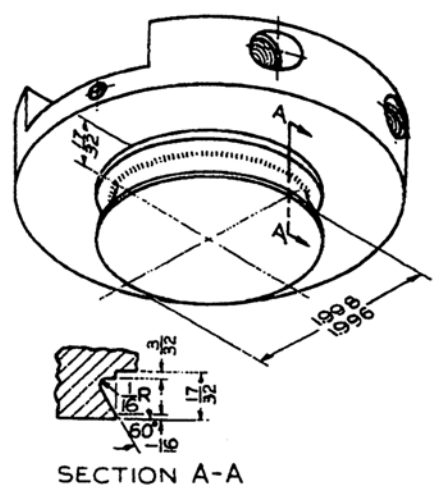


⑥ LOWER PLATE
CRS - 2 REQD

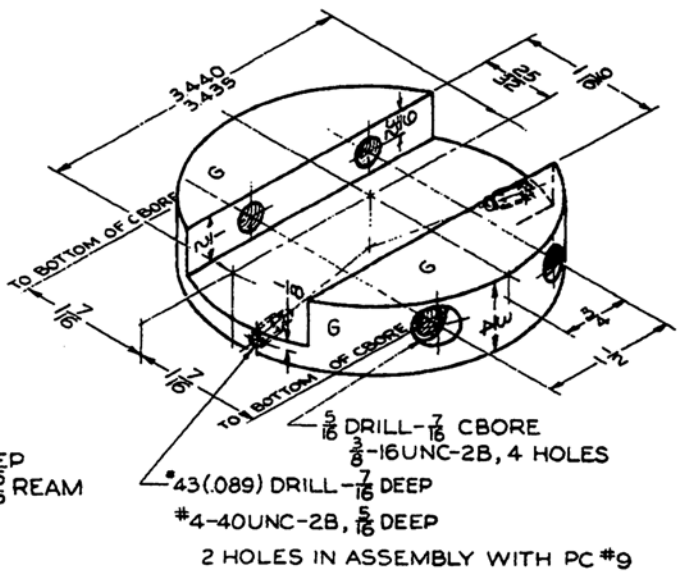
CYANIDE HARDEN-POLISH & BUFF ALL OVER



③ UPPER COMPOUND MEMBER
CRS - 1 REQD - CHROME PLATE



② COMPOUND CENTER MEMBER
CRS - 1 REQD - CHROME PLATE



④ COMPOUND TOOL HOLDER
CRS - 1 REQD - CHROME PLATE

Fig. 14-105 "Any-Angle" Tool Vise (Continued). See Fig. 14-104 for instructions.