

42. Make an exploded assembly drawing in orthographic projection of one of the assemblies shown in Figs. 14-89 (previous page) and 14-90. Use center lines to align the parts. Include on the drawing an item list and identification part numbers.

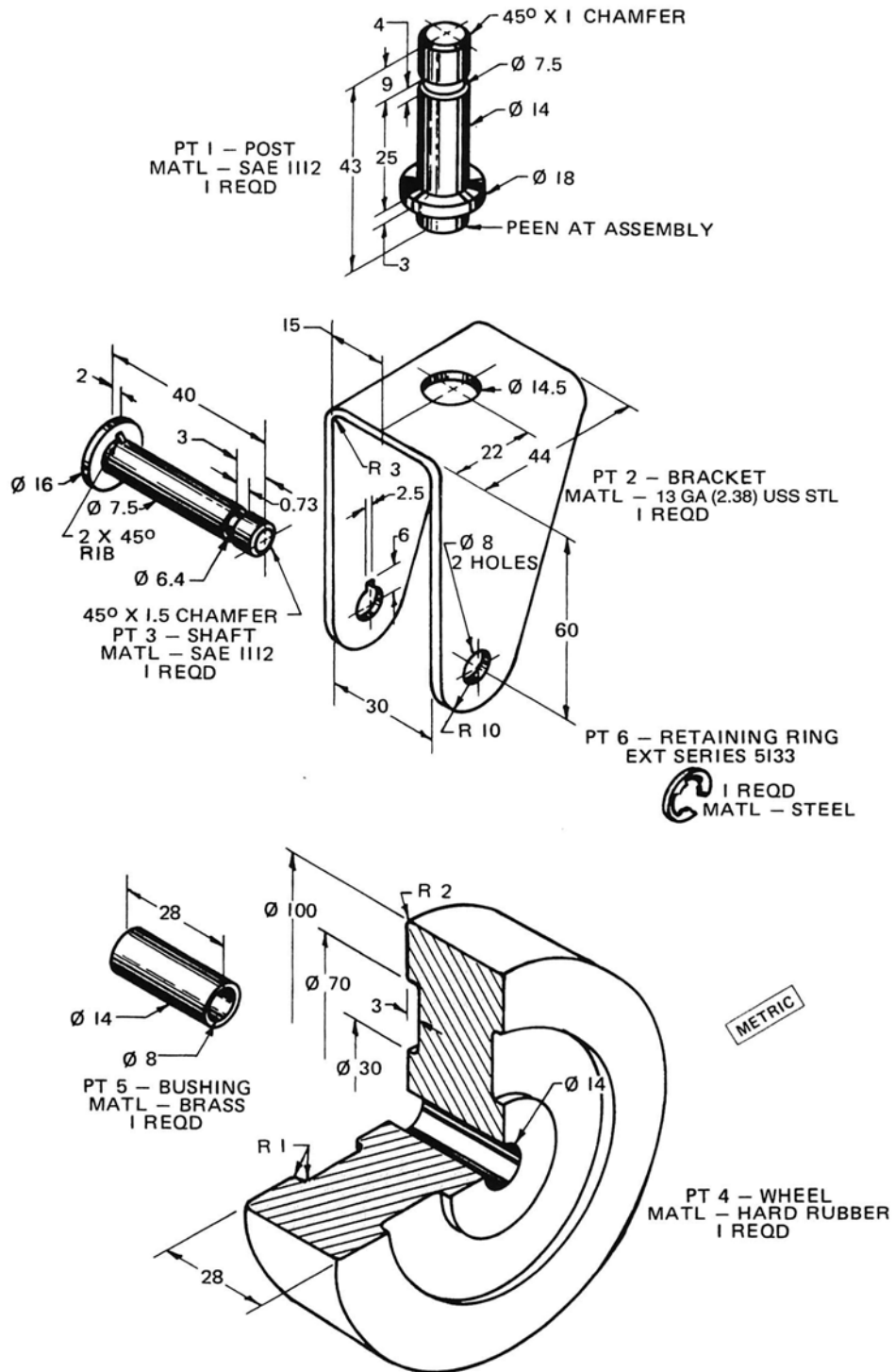


Fig. 14-90 Caster.