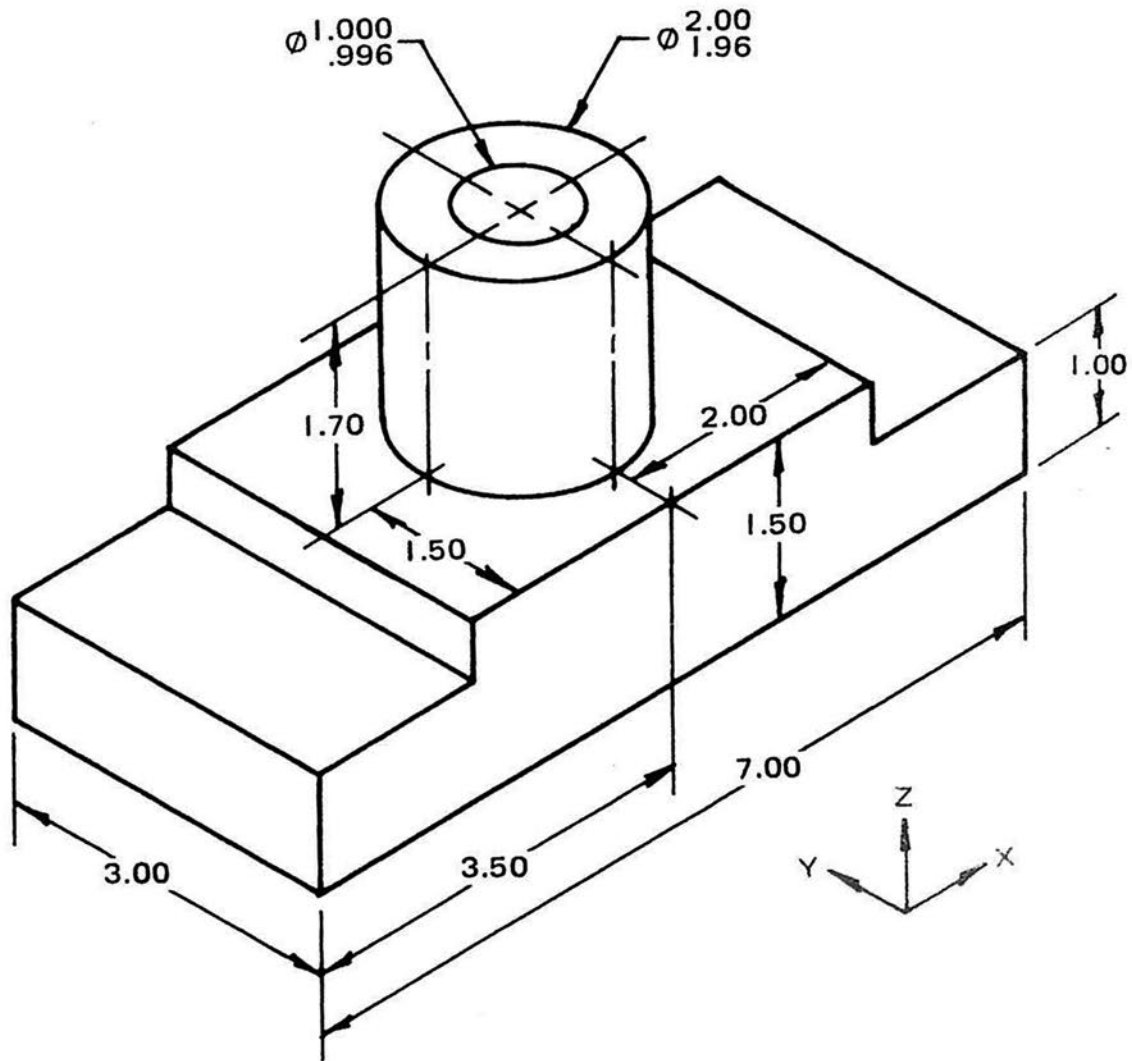


Draw the front and top views of the stand and add the information shown in Fig. 16-213 to the drawing.



**GEOMETRIC TOLERANCING REQUIREMENTS TO BE ADDED TO DRAWING**

- THE BOTTOM IS PRIMARY DATUM A
- THE FRONT IS SECONDARY DATUM B
- THE RIGHT SIDE IS TERTIARY DATUM C
- THE BOTTOM IS TO HAVE A FLATNESS TOLERANCE OF .003
- THE  $\varnothing 1.000$  TO HAVE A STRAIGHTNESS TOLERANCE OF .002 AT MMC

**Fig. 16-213** Stand.