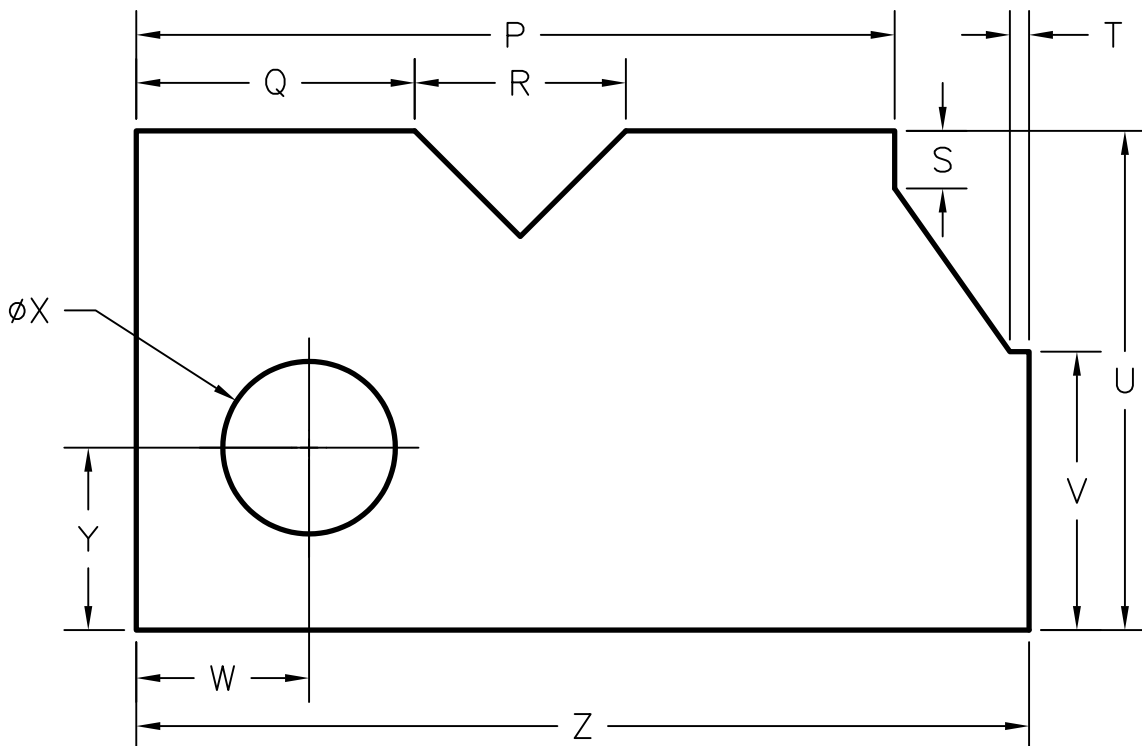
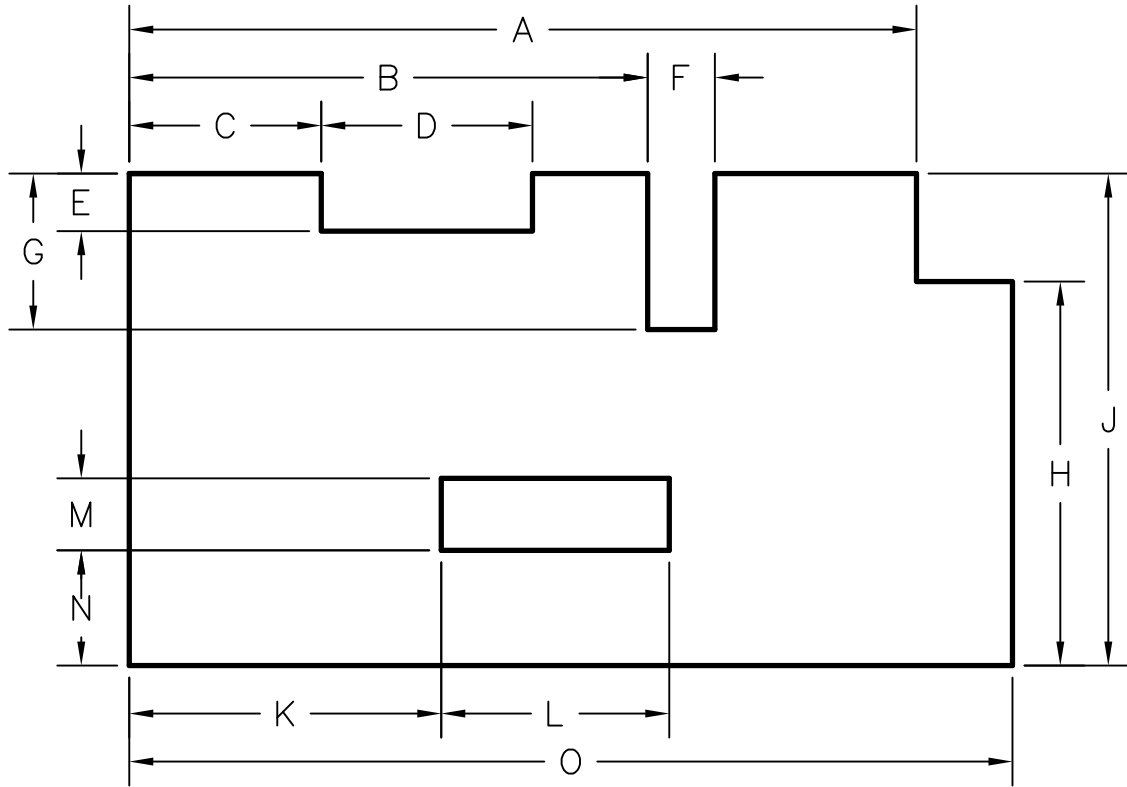


NAME: _____

USE THIS DRAWING TO COMPLETE THE FOLLOWING ASSIGNMENTS:

- ASSIGNMENT A
- ASSIGNMENT B
- ASSIGNMENT C



NAME: _____

ASSIGNMENT A

1:1 DECIMAL INCH SCALE A–F

1:1 FRACTIONAL INCH SCALE G–M

1:2 DECIMAL INCH SCALE N–T

ASSIGNMENT A		
1:1 DECIMAL INCH SCALE	A	
1:1 DECIMAL INCH SCALE	B	
1:1 DECIMAL INCH SCALE	C	
1:1 DECIMAL INCH SCALE	D	
1:1 DECIMAL INCH SCALE	E	
1:1 DECIMAL INCH SCALE	F	
1:1 FRACTIONAL INCH SCALE	G	
1:1 FRACTIONAL INCH SCALE	H	
1:1 FRACTIONAL INCH SCALE	J	
1:1 FRACTIONAL INCH SCALE	K	
1:1 FRACTIONAL INCH SCALE	L	
1:1 FRACTIONAL INCH SCALE	M	
1:2 DECIMAL INCH SCALE	N	
1:2 DECIMAL INCH SCALE	O	
1:2 DECIMAL INCH SCALE	P	
1:2 DECIMAL INCH SCALE	Q	
1:2 DECIMAL INCH SCALE	R	
1:2 DECIMAL INCH SCALE	S	
1:2 DECIMAL INCH SCALE	T	

NAME: _____

ASSIGNMENT B

$1'' = 1' - 0''$ A-F

$3'' = 1' - 0''$ G-M

$\frac{1}{4}'' = 1' - 0''$ N-T

$\frac{3}{8}'' = 1' - 0''$ U-Z

ASSIGNMENT B		
$1'' = 1' - 0''$	A	
$1'' = 1' - 0''$	B	
$1'' = 1' - 0''$	C	
$1'' = 1' - 0''$	D	
$1'' = 1' - 0''$	E	
$1'' = 1' - 0''$	F	
$3'' = 1' - 0''$	G	
$3'' = 1' - 0''$	H	
$3'' = 1' - 0''$	J	
$3'' = 1' - 0''$	K	
$3'' = 1' - 0''$	L	
$3'' = 1' - 0''$	M	
$\frac{1}{4}'' = 1' - 0''$	N	
$\frac{1}{4}'' = 1' - 0''$	O	
$\frac{1}{4}'' = 1' - 0''$	P	
$\frac{1}{4}'' = 1' - 0''$	Q	
$\frac{1}{4}'' = 1' - 0''$	R	
$\frac{1}{4}'' = 1' - 0''$	S	
$\frac{1}{4}'' = 1' - 0''$	T	
$\frac{3}{8}'' = 1' - 0''$	U	
$\frac{3}{8}'' = 1' - 0''$	V	
$\frac{3}{8}'' = 1' - 0''$	W	
$\frac{3}{8}'' = 1' - 0''$	X	
$\frac{3}{8}'' = 1' - 0''$	Y	
$\frac{3}{8}'' = 1' - 0''$	Z	

NAME: _____

ASSIGNMENT C

1:1 METRIC MM A–F

1:2 METRIC MM G–M

1:10 METRIC MM N–T

1:20 METRIC MM U–Z

ASSIGNMENT C		
1:1 METRIC	A	
1:1 METRIC	B	
1:1 METRIC	C	
1:1 METRIC	D	
1:1 METRIC	E	
1:1 METRIC	F	
1:2 METRIC	G	
1:2 METRIC	H	
1:2 METRIC	J	
1:2 METRIC	K	
1:2 METRIC	L	
1:2 METRIC	M	
1:10 METRIC	N	
1:10 METRIC	O	
1:10 METRIC	P	
1:10 METRIC	Q	
1:10 METRIC	R	
1:10 METRIC	S	
1:10 METRIC	T	
1:20 METRIC	U	
1:20 METRIC	V	
1:20 METRIC	W	
1:20 METRIC	X	
1:20 METRIC	Y	
1:20 METRIC	Z	