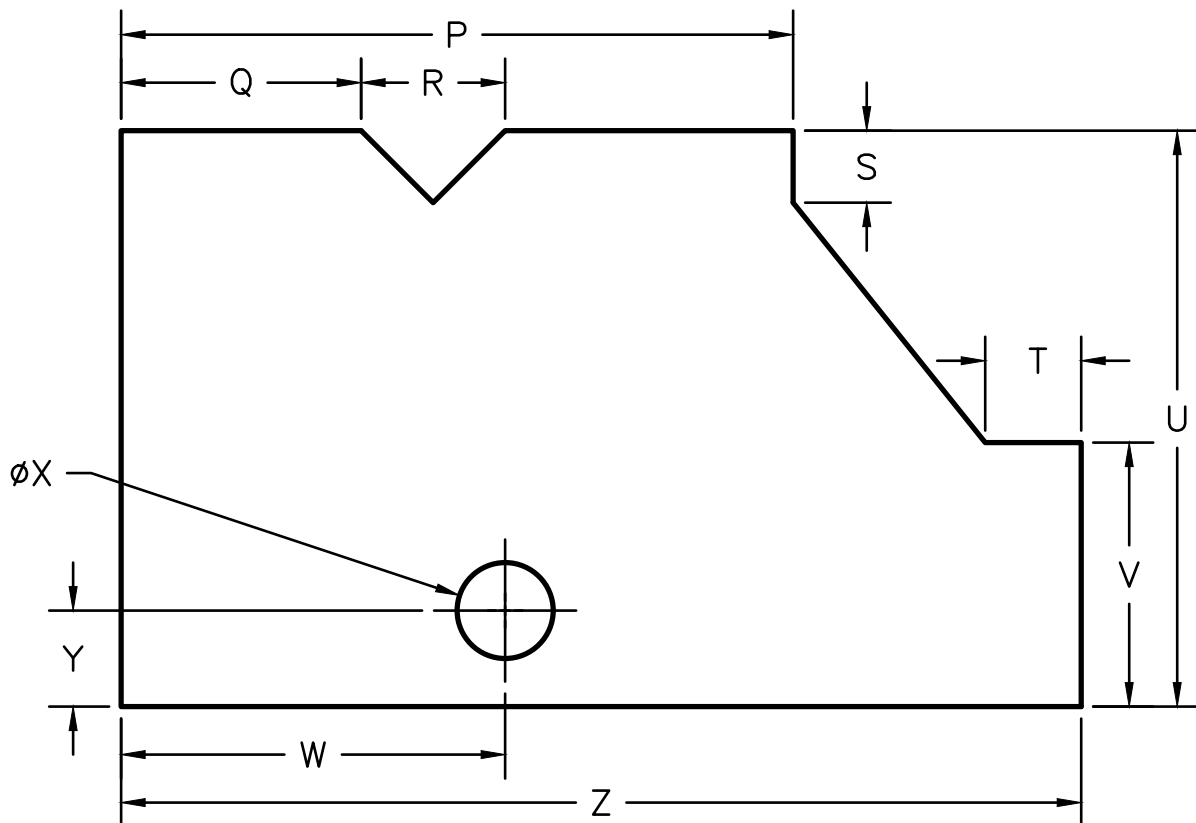
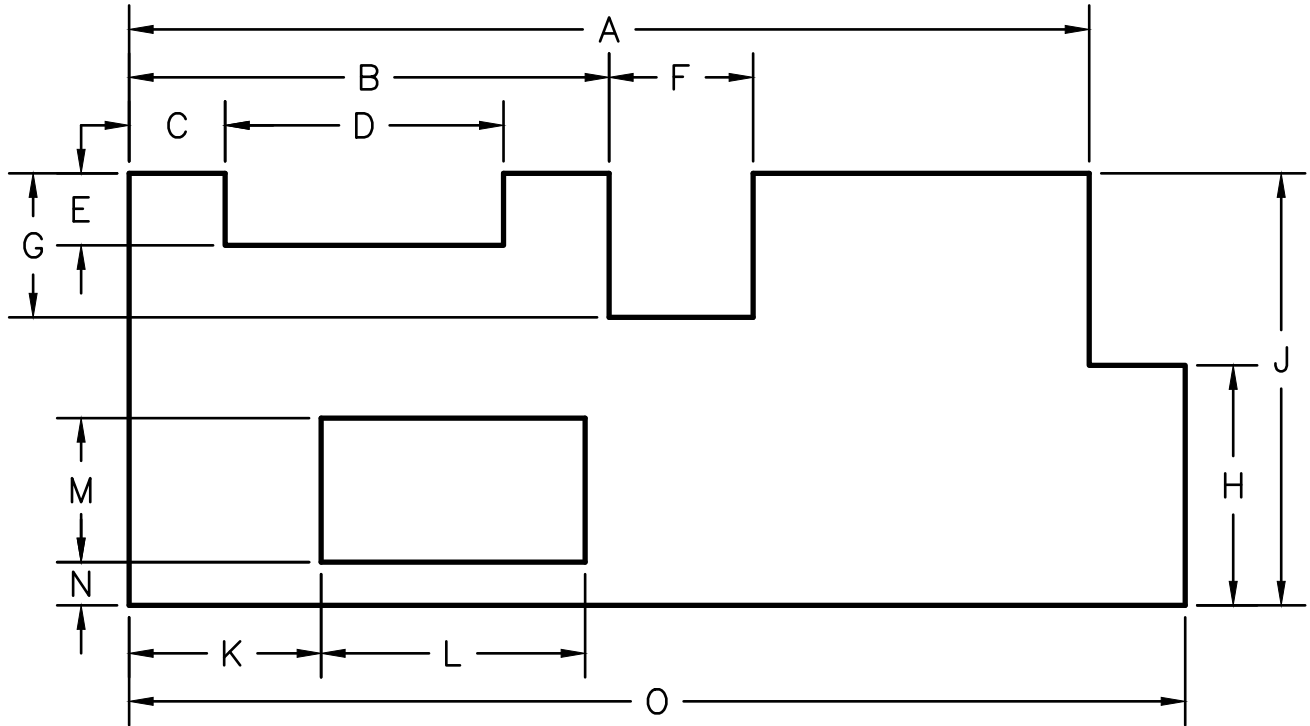


NAME: _____

USE THIS DRAWING TO COMPLETE THE FOLLOWING ASSIGNMENTS:

- ASSIGNMENT A
- ASSIGNMENT B
- ASSIGNMENT C



NAME: _____

USE THIS DRAWING TO COMPLETE THE FOLLOWING ASSIGNMENTS:

- ASSIGNMENT A
- ASSIGNMENT B
- ASSIGNMENT C

ASSIGNMENT A		
1:1 DECIMAL INCH SCALE	A	
1:1 DECIMAL INCH SCALE	B	
1:1 DECIMAL INCH SCALE	C	
1:1 DECIMAL INCH SCALE	D	
1:1 DECIMAL INCH SCALE	E	
1:1 DECIMAL INCH SCALE	F	
1:1 FRACTIONAL INCH SCALE	G	
1:1 FRACTIONAL INCH SCALE	H	
1:1 FRACTIONAL INCH SCALE	J	
1:1 FRACTIONAL INCH SCALE	K	
1:1 FRACTIONAL INCH SCALE	L	
1:1 FRACTIONAL INCH SCALE	M	
1:2 DECIMAL INCH SCALE	N	
1:2 DECIMAL INCH SCALE	O	
1:2 DECIMAL INCH SCALE	P	
1:2 DECIMAL INCH SCALE	Q	
1:2 DECIMAL INCH SCALE	R	
1:2 DECIMAL INCH SCALE	S	
1:2 DECIMAL INCH SCALE	T	

NAME: _____

USE THIS DRAWING TO COMPLETE THE FOLLOWING ASSIGNMENTS:

- ASSIGNMENT A
- ASSIGNMENT B
- ASSIGNMENT C

ASSIGNMENT B		
$1'' = 1' - 0''$	A	
$1'' = 1' - 0''$	B	
$1'' = 1' - 0''$	C	
$1'' = 1' - 0''$	D	
$1'' = 1' - 0''$	E	
$1'' = 1' - 0''$	F	
$3'' = 1' - 0''$	G	
$3'' = 1' - 0''$	H	
$3'' = 1' - 0''$	J	
$3'' = 1' - 0''$	K	
$3'' = 1' - 0''$	L	
$3'' = 1' - 0''$	M	
$1/4'' = 1' - 0''$	N	
$1/4'' = 1' - 0''$	O	
$1/4'' = 1' - 0''$	P	
$1/4'' = 1' - 0''$	Q	
$1/4'' = 1' - 0''$	R	
$1/4'' = 1' - 0''$	S	
$1/4'' = 1' - 0''$	T	
$3/8'' = 1' - 0''$	U	
$3/8'' = 1' - 0''$	V	
$3/8'' = 1' - 0''$	W	
$3/8'' = 1' - 0''$	X	
$3/8'' = 1' - 0''$	Y	
$3/8'' = 1' - 0''$	Z	

NAME: _____

USE THIS DRAWING TO COMPLETE THE FOLLOWING ASSIGNMENTS:

- ASSIGNMENT A
- ASSIGNMENT B
- ASSIGNMENT C

ASSIGNMENT C		
1:1 METRIC	A	
1:1 METRIC	B	
1:1 METRIC	C	
1:1 METRIC	D	
1:1 METRIC	E	
1:1 METRIC	F	
1:2 METRIC	G	
1:2 METRIC	H	
1:2 METRIC	J	
1:2 METRIC	K	
1:2 METRIC	L	
1:2 METRIC	M	
1:10 METRIC	N	
1:10 METRIC	O	
1:10 METRIC	P	
1:10 METRIC	Q	
1:10 METRIC	R	
1:10 METRIC	S	
1:10 METRIC	T	
1:20 METRIC	U	
1:20 METRIC	V	
1:20 METRIC	W	
1:20 METRIC	X	
1:20 METRIC	Y	
1:20 METRIC	Z	