

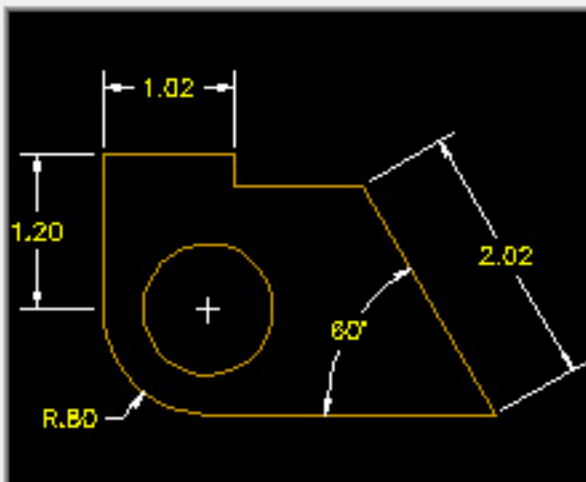
Dimension Style Manager

Current dimension style: GS ANNOTATIVE

Styles:

- △ Annotative
- △ **GS ANNOTATIVE**
- Standard

Preview of: GS ANNOTATIVE



Set Current

New...

Modify...

Override...

Compare...

List:

All styles

Don't list styles in Xrefs

Description
GS ANNOTATIVE

Close

Help

Lines Symbols and Arrows Text Fit Primary Units Alternate Units Tolerances

Dimension lines

Color: ByBlock

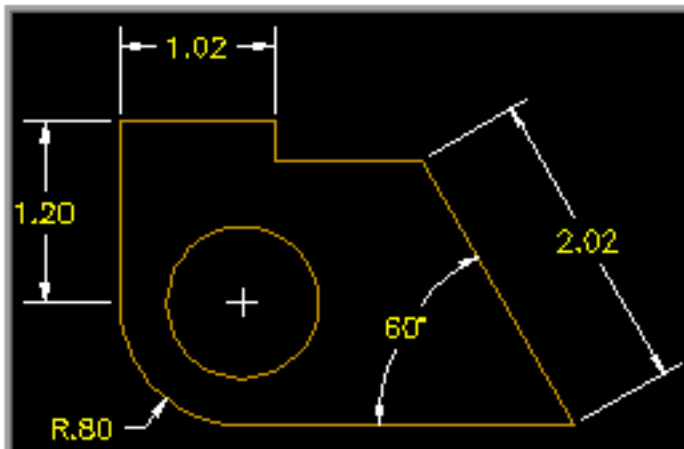
Linetype: ByBlock

Lineweight: ByBlock

Extend beyond ticks: .0000

Baseline spacing: .3800

Suppress: Dim line 1 Dim line 2



Extension lines

Color: ByBlock

Linetype ext line 1: ByBlock

Linetype ext line 2: ByBlock

Lineweight: ByBlock

Suppress: Ext line 1 Ext line 2

Extend beyond dim lines: .1250

Offset from origin: .0625

Fixed length extension lines

Length: 1.0000

OK

Cancel

Help

Lines Symbols and Arrows Text Fit Primary Units Alternate Units Tolerances

Arrowheads

First:

Closed filled

Second:

Closed filled

Leader:

Closed filled

Arrow size:

.1250

Center marks

None

Mark

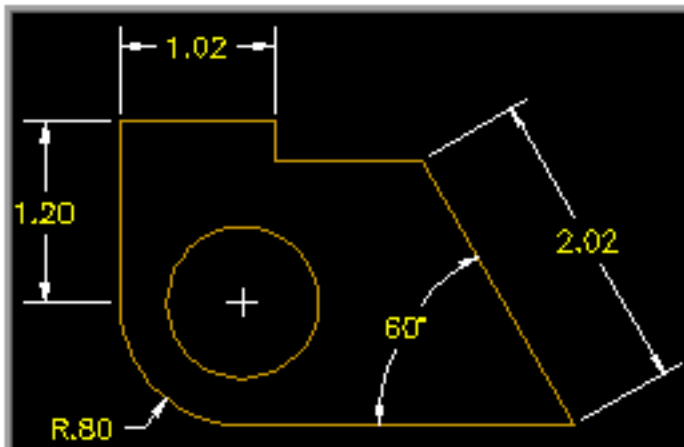
Line

.0900

Dimension Break

Break size:

.1250



Arc length symbol

Preceding dimension text

Above dimension text

None

Radius jog dimension

Jog angle:

45

Linear jog dimension

Jog height factor:

1.5000

* Text height

OK

Cancel

Help

Lines Symbols and Arrows Text Fit Primary Units Alternate Units Tolerances

Text appearance

Text style: GS DIMS ANNOTATI ...

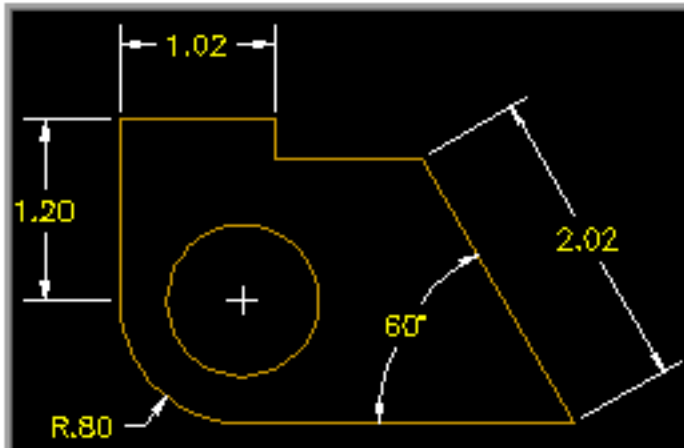
Text color: Yellow

Fill color: None

Text height: .1250

Fraction height scale: 1.0000

Draw frame around text



Text placement

Vertical: Centered

Horizontal: Centered

View Direction: Left-to-Right

Offset from dim line: .0900

Text alignment

Horizontal

Aligned with dimension line

ISO standard

OK

Cancel

Help

- Lines
- Symbols and Arrows
- Text
- Fit
- Primary Units
- Alternate Units
- Tolerances

Fit options

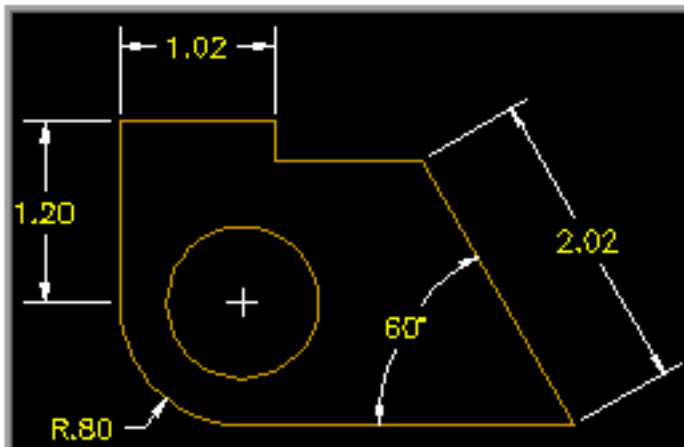
If there isn't enough room to place both text and arrows inside extension lines, the first thing to move outside the extension lines is:

- Either text or arrows (best fit)
- Arrows
- Text
- Both text and arrows
- Always keep text between ext lines
- Suppress arrows if they don't fit inside extension lines

Text placement

When text is not in the default position, place it:

- Beside the dimension line
- Over dimension line, with leader
- Over dimension line, without leader



Scale for dimension features

- Annotative
 - Scale dimensions to layout
 - Use overall scale of:

Fine tuning

- Place text manually
- Draw dim line between ext lines

- Lines
- Symbols and Arrows
- Text
- Fit
- Primary Units
- Alternate Units
- Tolerances

Linear dimensions

Unit format:

Precision:

Fraction format:

Decimal separator:

Round off:

Prefix:

Suffix:

Measurement scale

Scale factor:

Apply to layout dimensions only

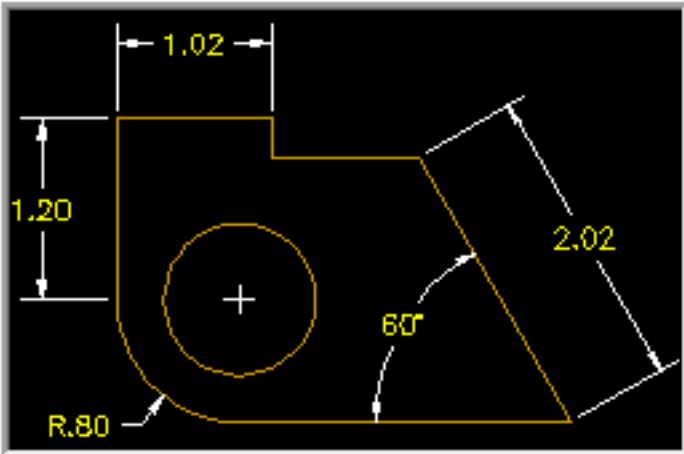
Zero suppression

Leading Trailing

Sub-units factor:

Sub-unit suffix:

0 feet 0 inches



Angular dimensions

Units format:

Precision:

Zero suppression

Leading Trailing

Lines Symbols and Arrows Text Fit Primary Units **Alternate Units** Tolerances

Display alternate units

Alternate units

Unit format: Architectural

Precision: 0'-0 1/4"

Multiplier for alt units: 25.4000

Round distances to: .0000

Prefix:

Suffix:

Zero suppression

Leading

Trailing

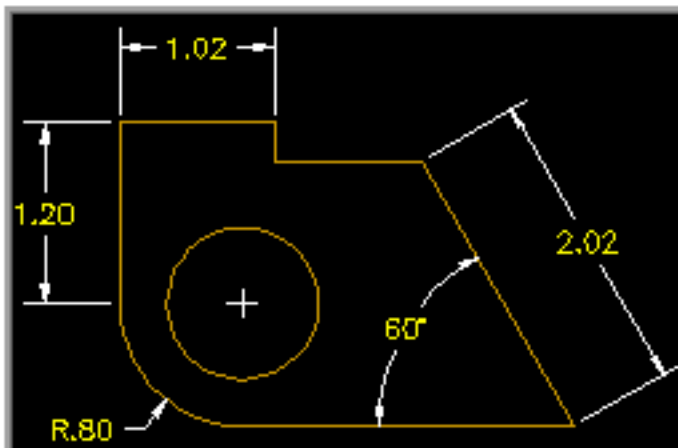
Sub-units factor:

100.0000

0 feet

0 inches

Sub-units suffix:



Placement

After primary value

Below primary value

OK

Cancel

Help

Lines Symbols and Arrows Text Fit Primary Units Alternate Units Tolerances

Tolerance format

Method:

Precision:

Upper value:

Lower value:

Scaling for height:

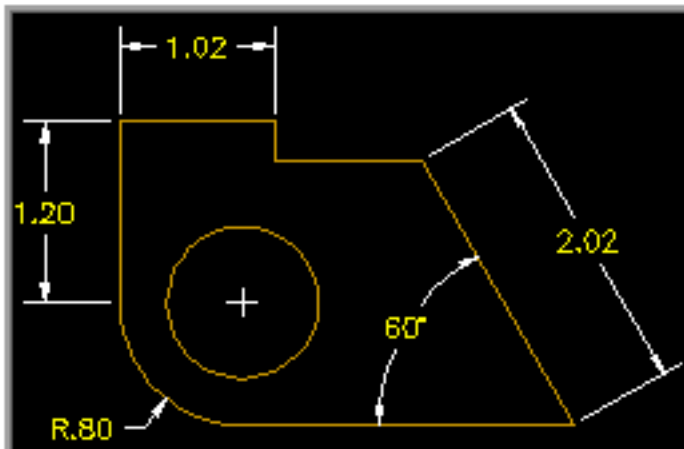
Vertical position:

Tolerance alignment

- Align decimal separators
- Align operational symbols

Zero suppression

- Leading 0 feet
- Trailing 0 inches



Alternate unit tolerance

Precision:

Zero suppression

- Leading 0 feet
- Trailing 0 inches

OK Cancel Help