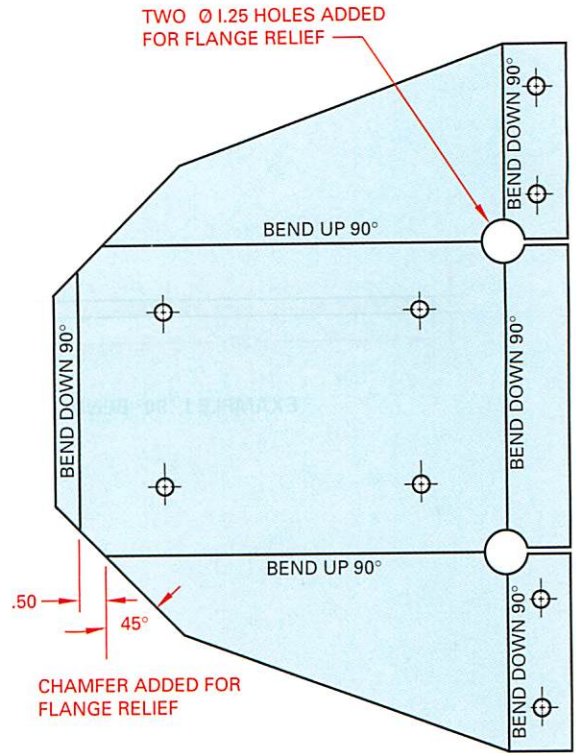
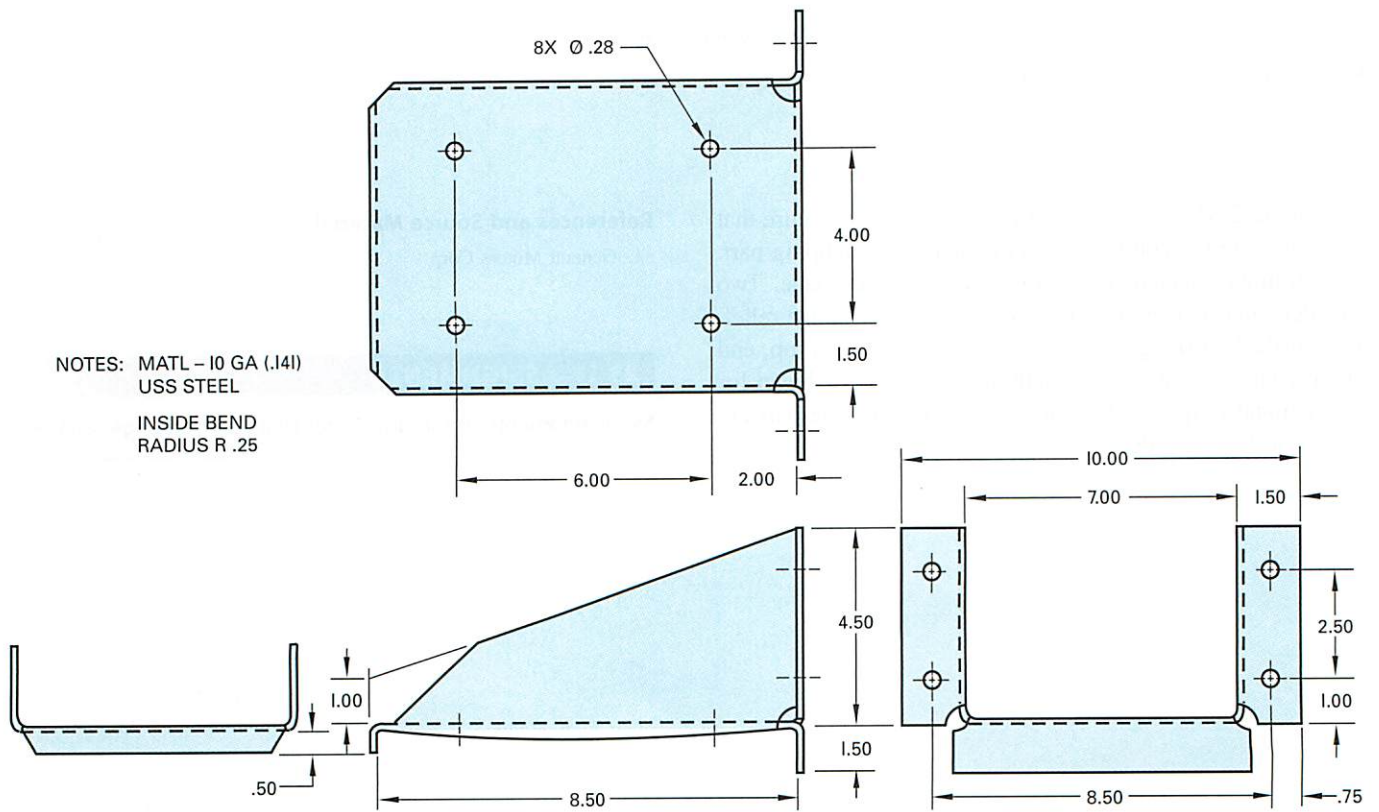


(A) PRELIMINARY SKETCH OF PART



(B) BLANK DEVELOPMENT
(NOT NORMALLY SHOWN ON PRODUCTION DRAWINGS)



(C) DRAWING CALLOUT

Fig. 23-54 A stamping drawing for a motor support.