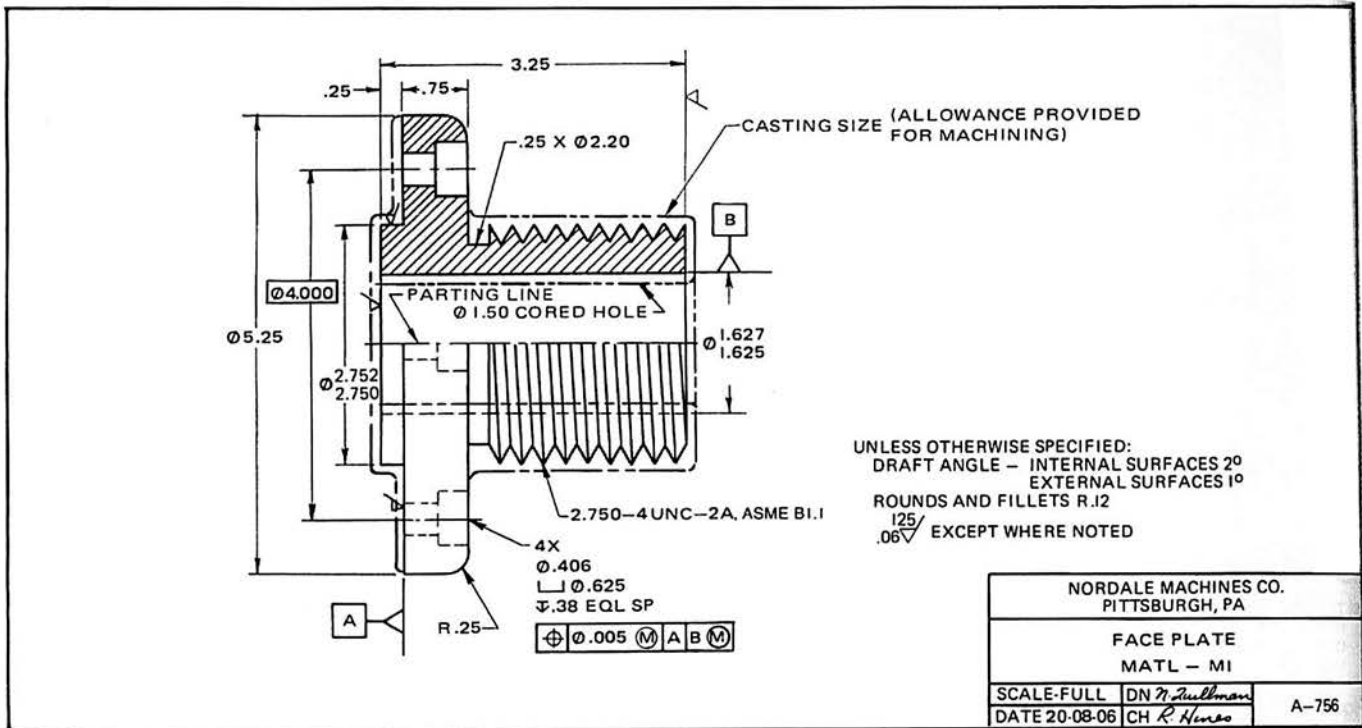
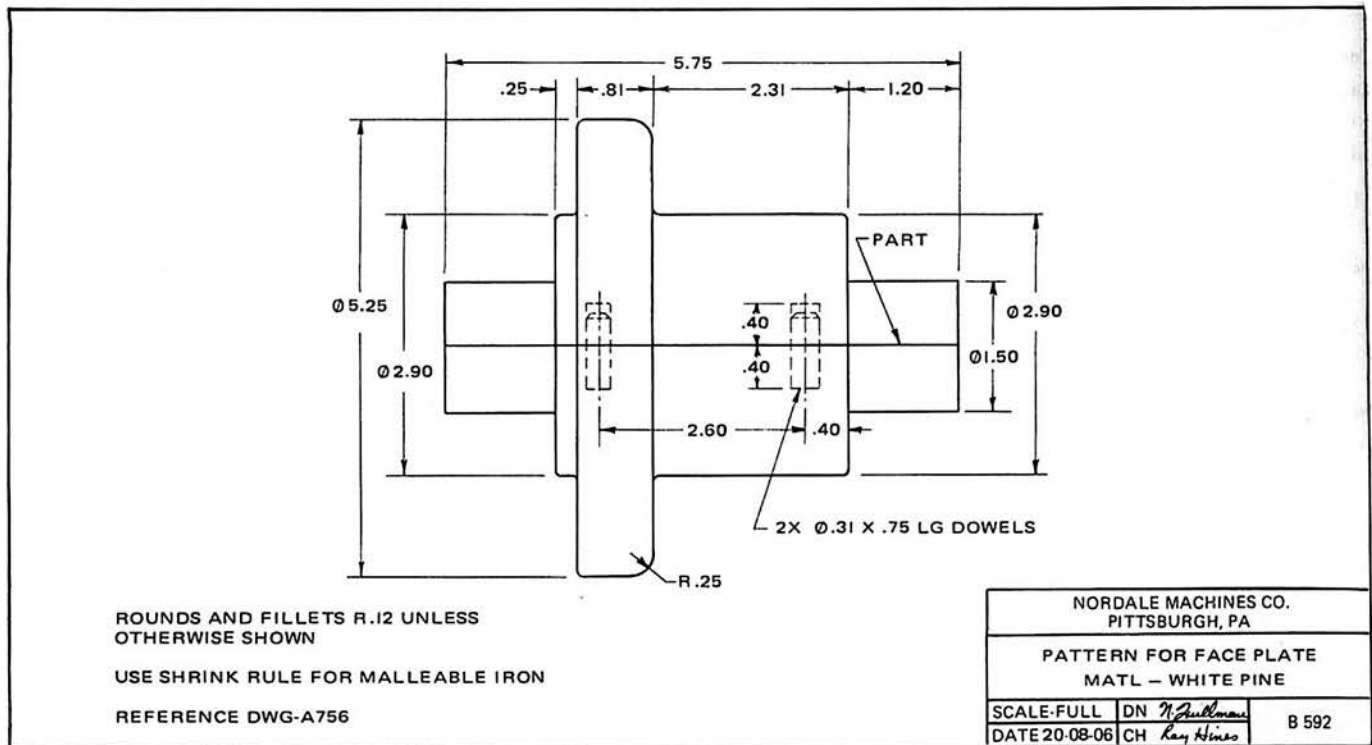


THIS IS FOR REFERENCE TO ACCOMPANY ASSIGNMENT 13-48 - CONNECTOR



(A) WORKING DRAWING OF A CAST PART



(B) PATTERN DRAWING FOR THE CAST PART SHOWN IN (A)

Fig. 13-15 Cast-part drawings.