

Make a one-view assembly drawing of the wrench shown in Fig. 14-79. Include on the drawing an item list and identification part numbers. Scale 1:1.

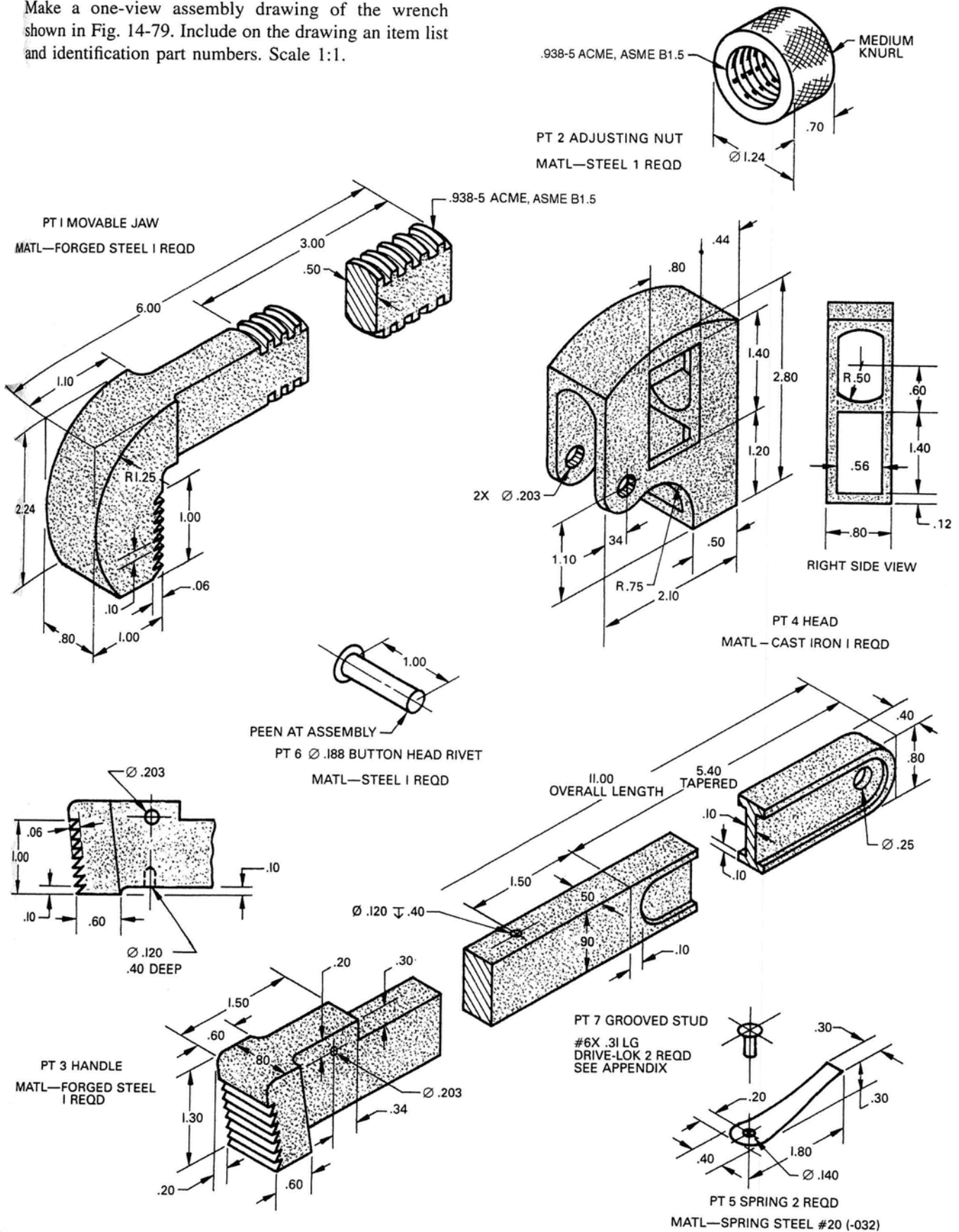


Fig. 14-79 Stillson wrench.