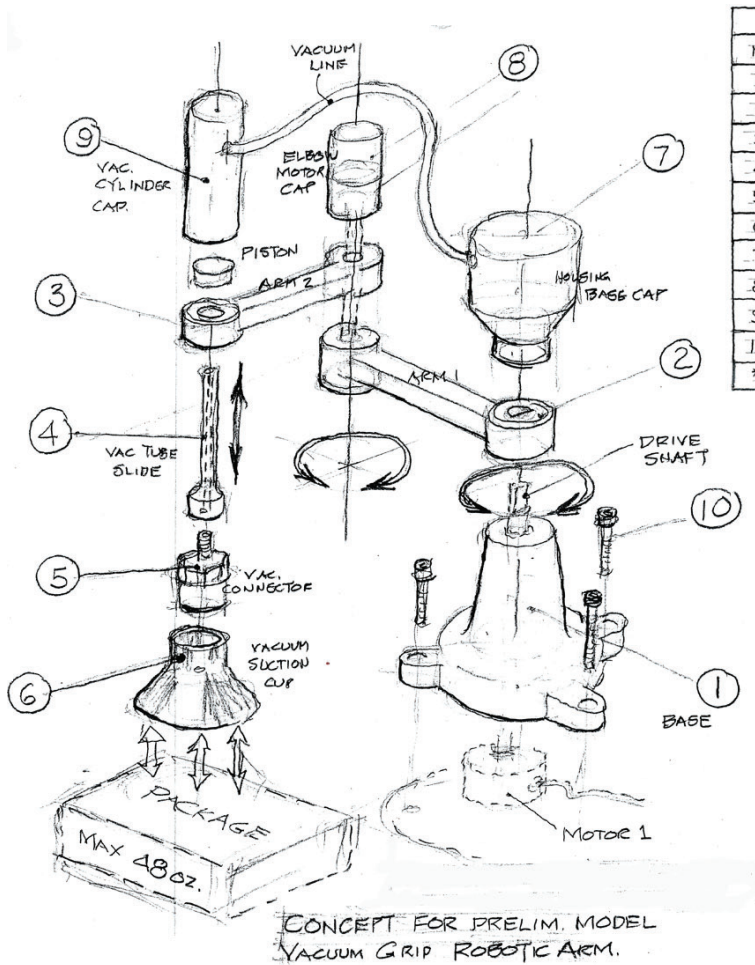
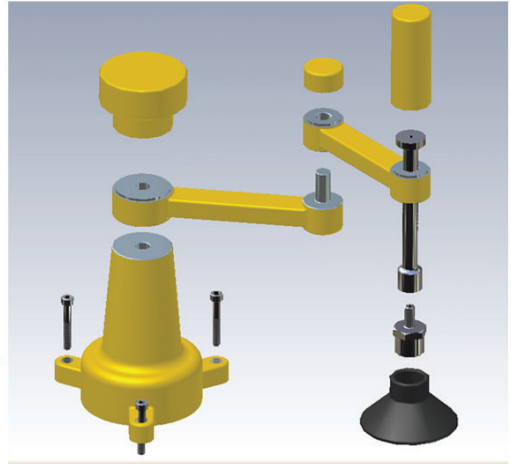


Assembly 5: ROBOTIC ARM—Concept for Initial Design Model



#SCARA CONCEPT ROBOTIC ARM				
NO.	PART NAME	MTRL.	QUAN.	FINISH
1	BASE E01	ALUM.	1	PAINT
2	ARM E01	ALUM.	1	PAINT
3	ARM E02	ALUM.	1	PAINT
4	SLIDING TUBE	STEEL	1	-
5	VACUUM CON.	STEEL	1	-
6	VACUUM CUP	RUBBER	1	-
7	BASE CAP	ALUM.	1	-
8	ELBOW CAP	ALUM.	1	-
9	VACUUM CAP	ALUM.	1	-
10	CAP SCREW-1/4	STEEL	3	10-36UNS

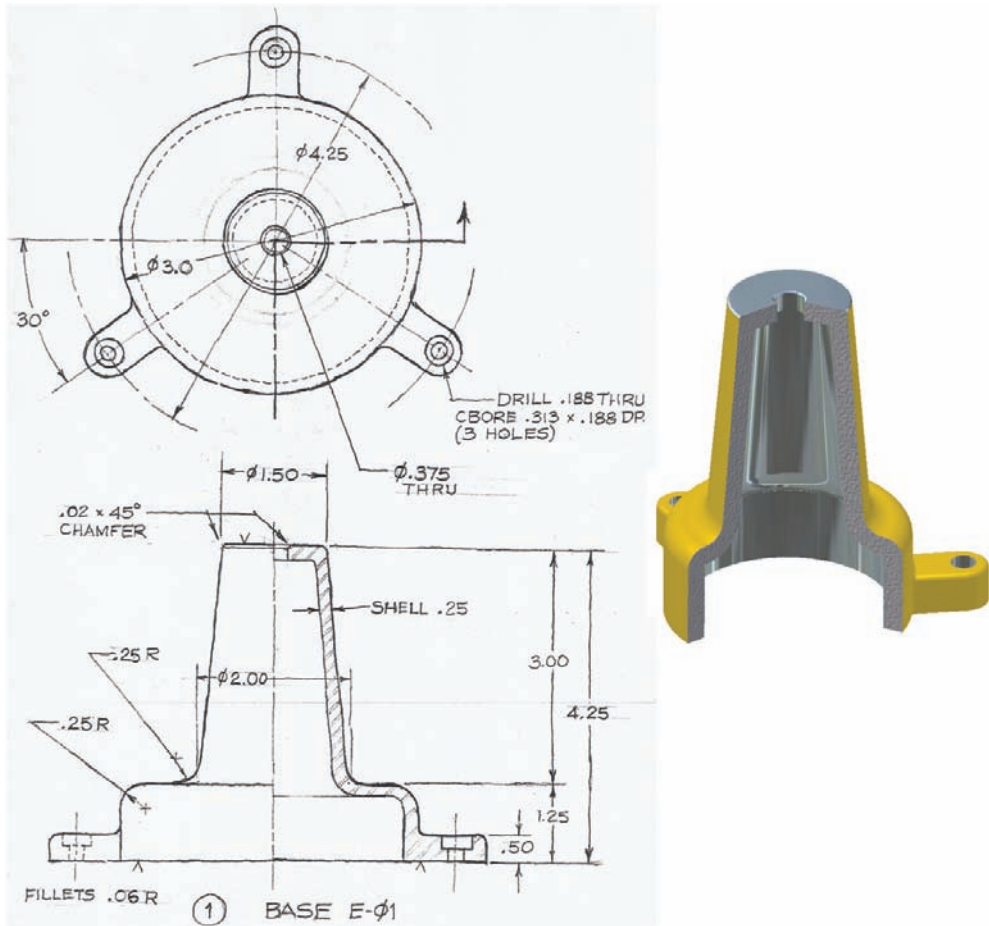
*SELECTIVE COMPLIANCE ASSEMBLY ROBOT ARM



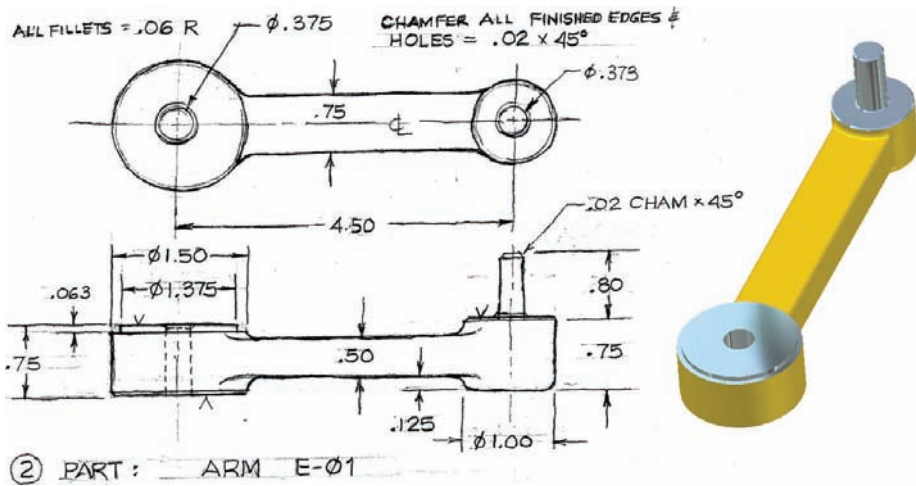
Concept Sketch, Parts Listing and Exploded Parts View of Robotic Arm

Figure 20.71

Robotic arm—concept for initial design model



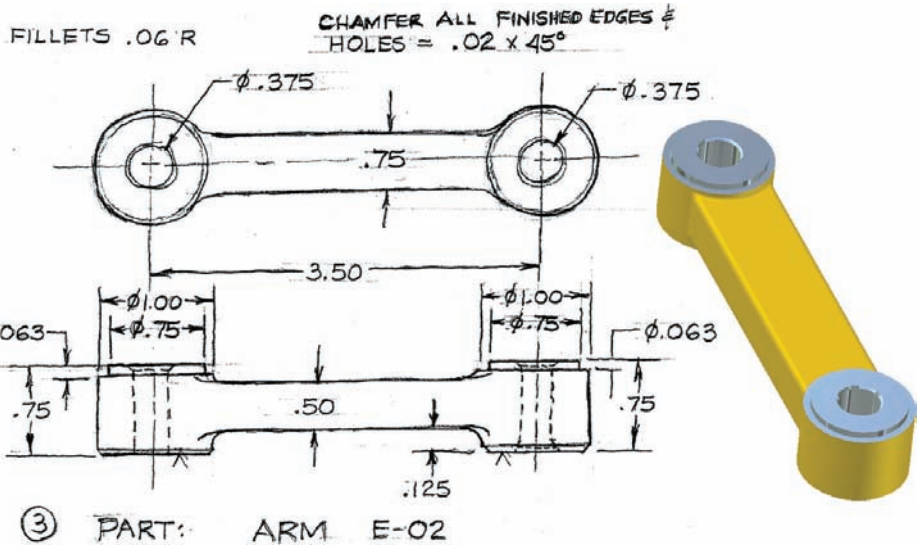
Sketch for Part Number 1: BASE E-01



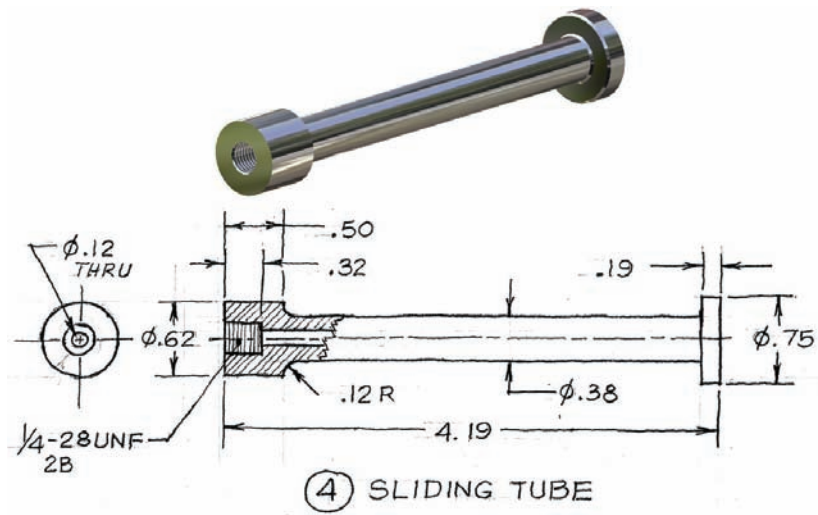
Sketch for Part Number 2: ARM E-01

Figure 20.71

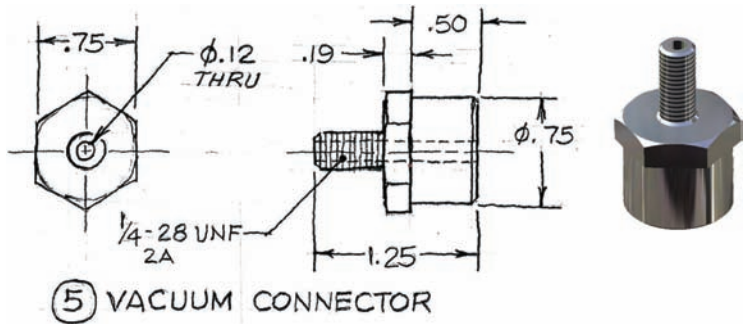
Robotic arm—concept for initial design model (Continued)



Sketch for Part Number 3: ARM E-02



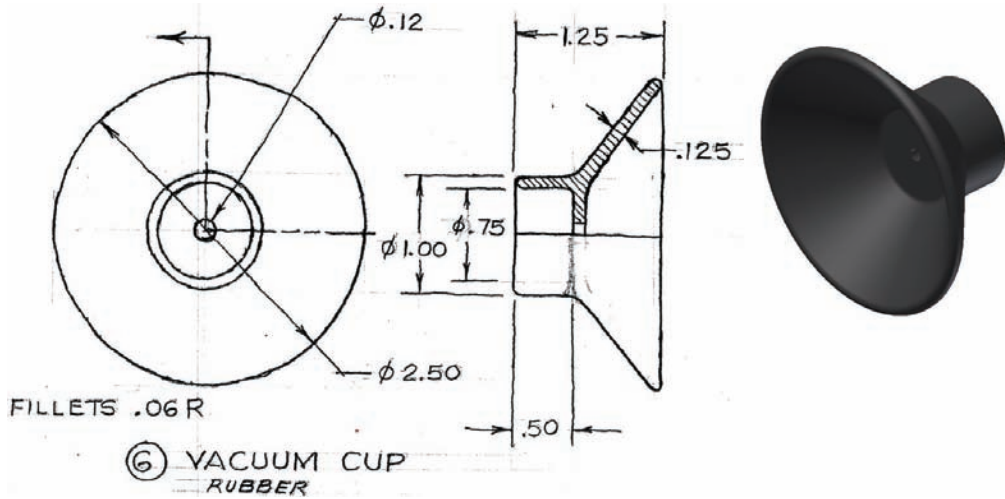
Sketch for Part Number 4: SLIDING TUBE



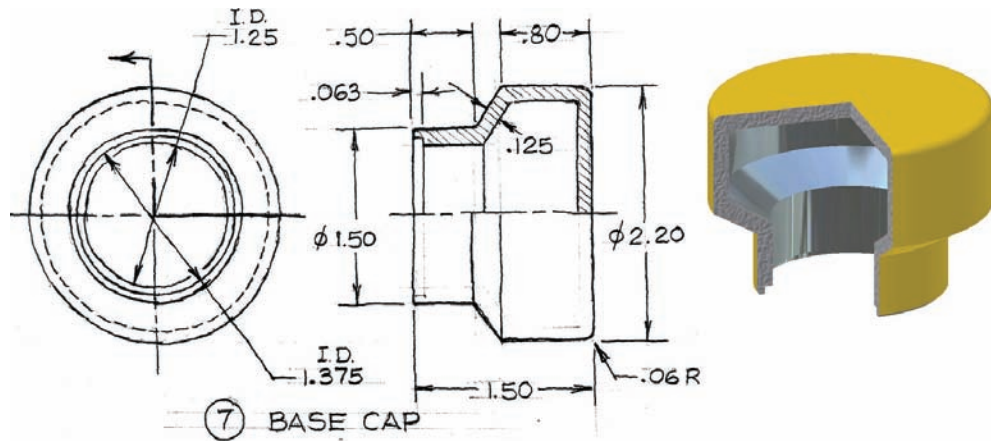
Sketch for Part Number 5: VACUUM CONNECTOR

Figure 20.71

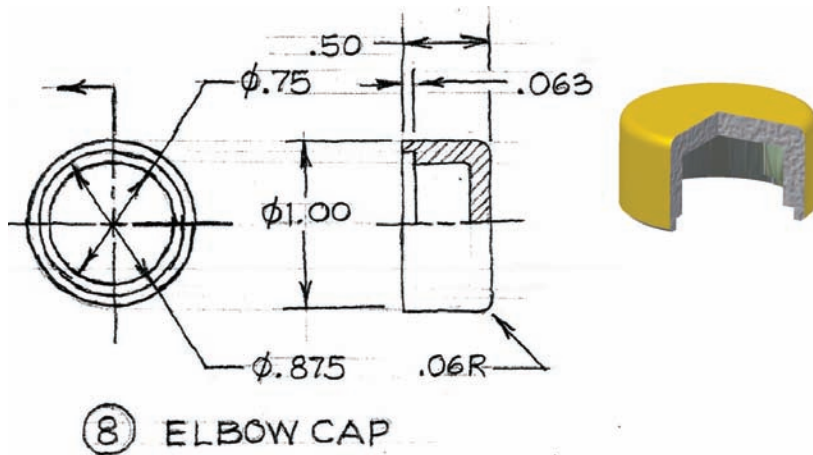
Robotic arm—concept for initial design model (Continued)



Sketch for Part Number 6: VACUUM CUP



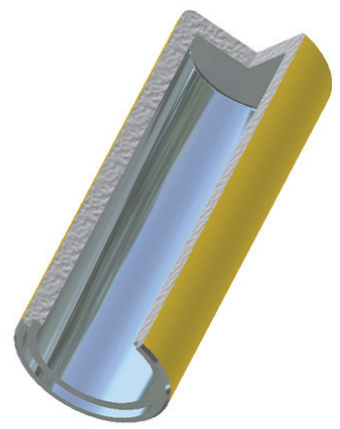
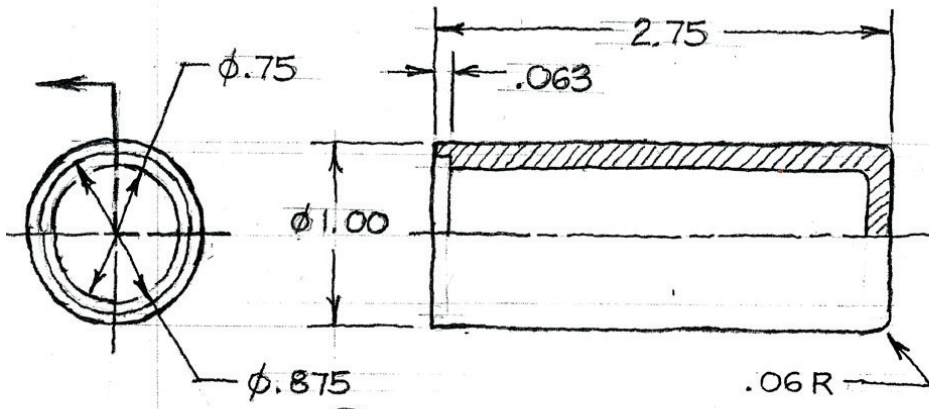
Sketch for Part Number 7: BASE CAP



Sketch for Part Number 8: ELBOW CAP

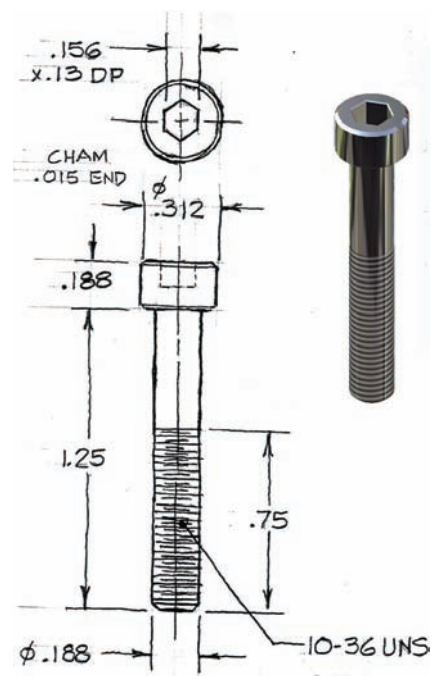
Figure 20.71

Robotic arm—concept for initial design model (Continued)



⑨ VACUUM CAP

Sketch for Part Number 9: VACUUM CAP



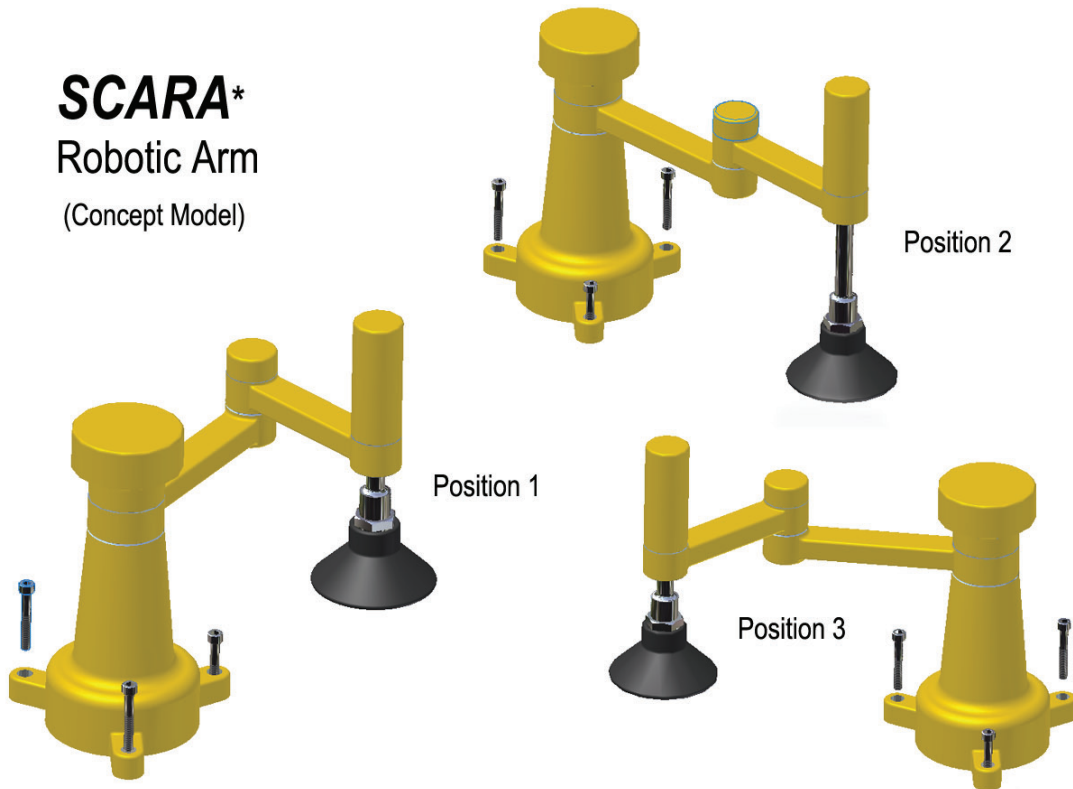
⑩ CAP SCREW
STANDARD

Sketch for Part Number 10: CAP SCREW

Figure 20.71

Robotic arm—concept for initial design model (Continued)

SCARA*
Robotic Arm
(Concept Model)



*Selective Compliance Assembly Robot Arm - Vacuum Gripper Application

Sample Position Settings for Assembled Robotic Arm

Figure 20.71

Robotic arm—concept for initial design model (Continued)