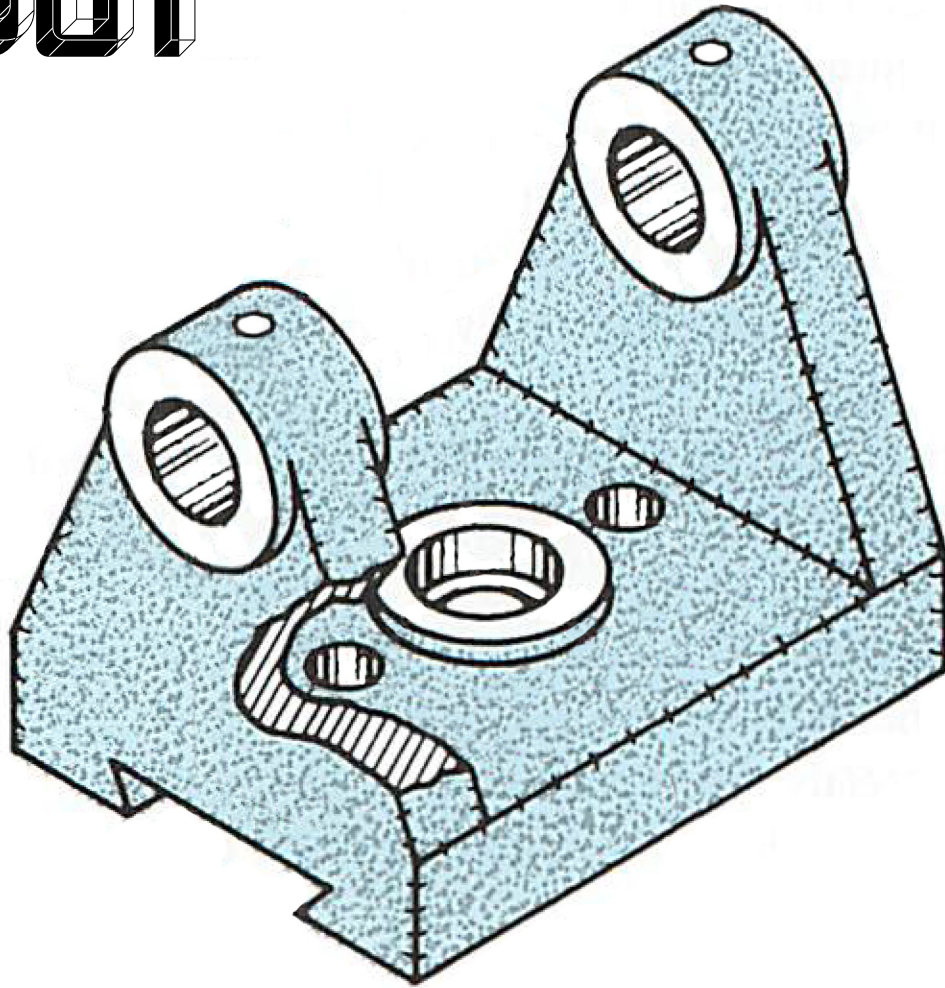


# DDGT



**DDGT120 REVERSE ENGINEERING:  
SLIDE BRACKET**

**INVENTOR - IMPERIAL  
MATL - SAE1110**

**PHYSICAL PRINTED PART IS AT 1:1  
CREATE WORKING DRAWING WITH 3D**