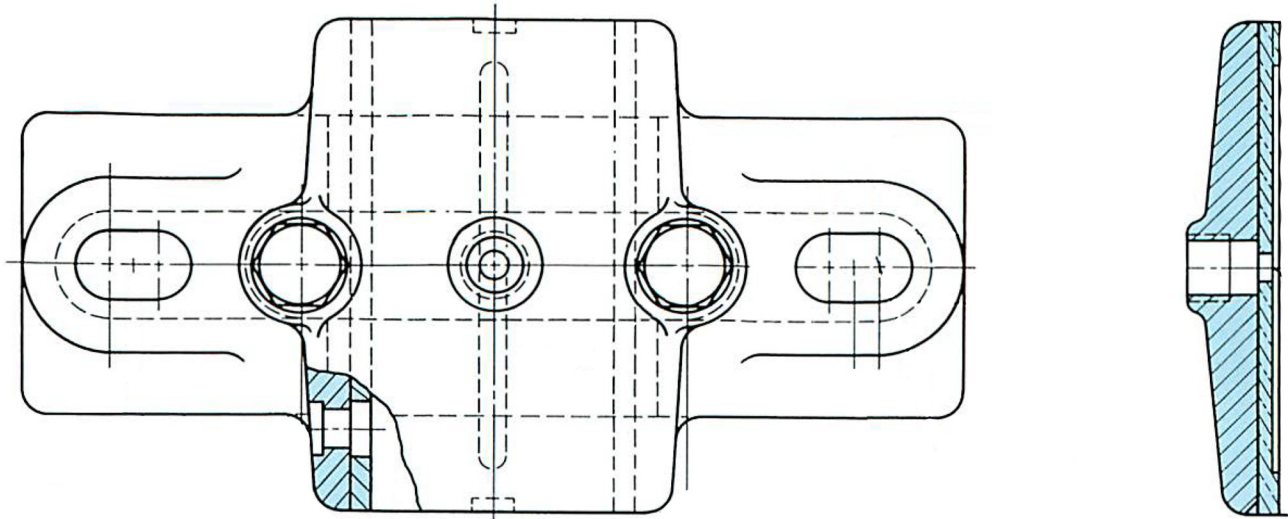


DDGT



DDGT240 REVERSE ENGINEERING: JOURNAL BEARING

AUTOCAD - IMPERIAL
MATL - SAE1110

PHYSICAL PRINTED PART IS AT 1:1
CREATE WORKING DRAWING WITH 3D
ANSI B, SCALE 1:2