

TYPE SLF SPRING MOUNTING

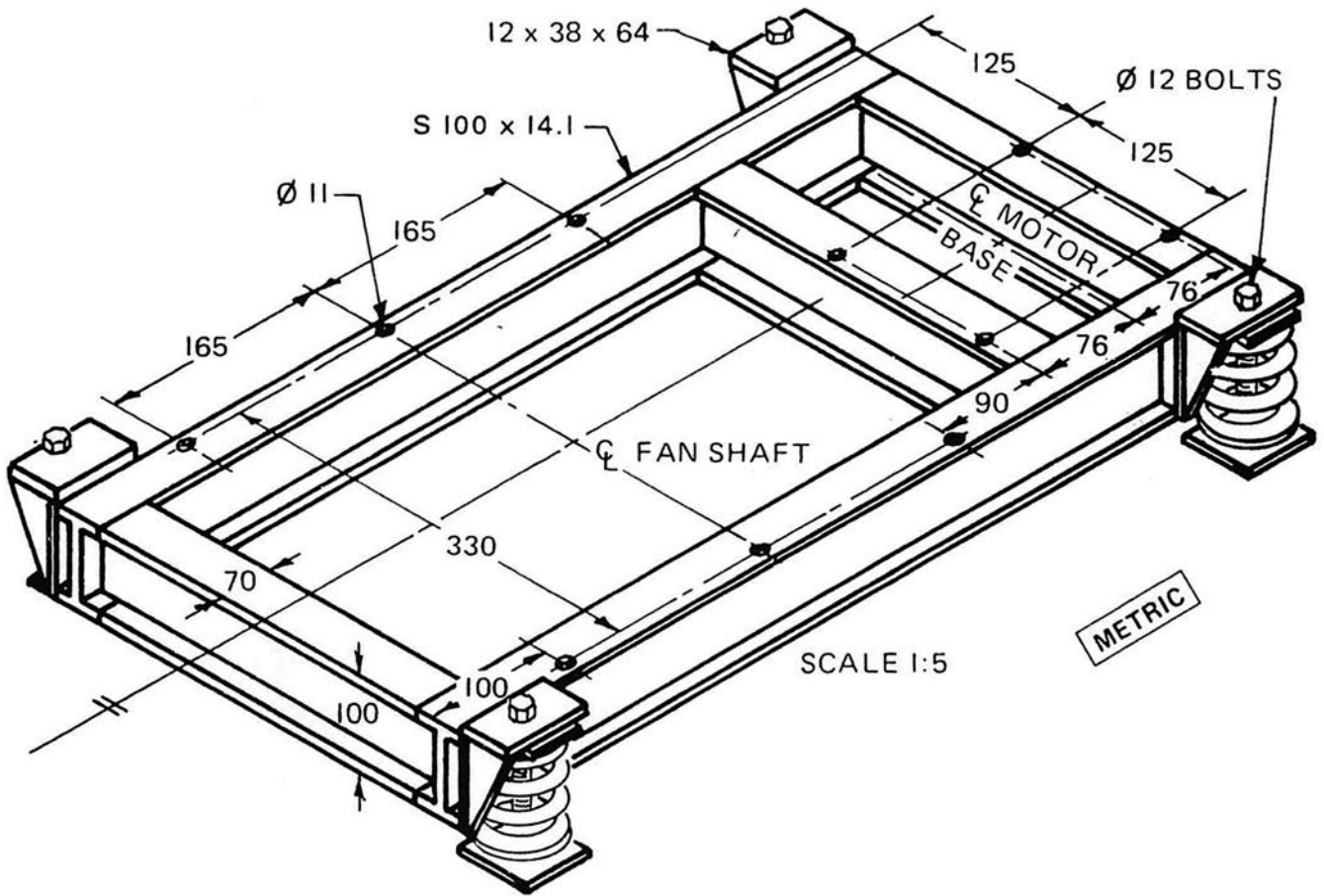


Fig. 18-50 Fan and motor base.