

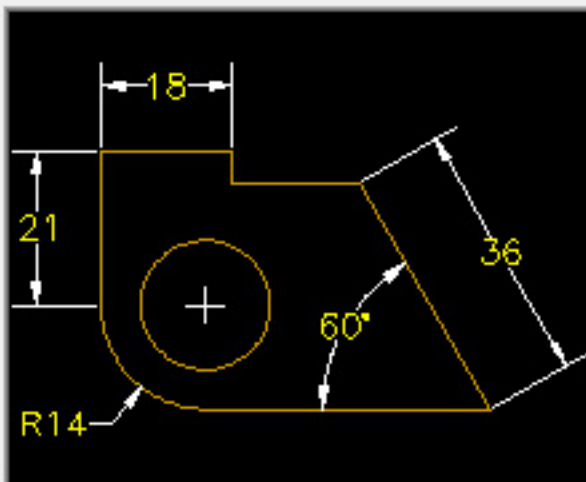
Dimension Style Manager

Current dimension style: GS ANNOTATIVE

Styles:

- △ Annotative
- △ **GS ANNOTATIVE**
- ISO-25
- Standard

Preview of: GS ANNOTATIVE



Set Current

New...

Modify...

Override...

Compare...

List:

All styles

Don't list styles in Xrefs

Description
GS ANNOTATIVE

Close

Help

Lines Symbols and Arrows Text Fit Primary Units Alternate Units Tolerances

Dimension lines

Color: ByBlock

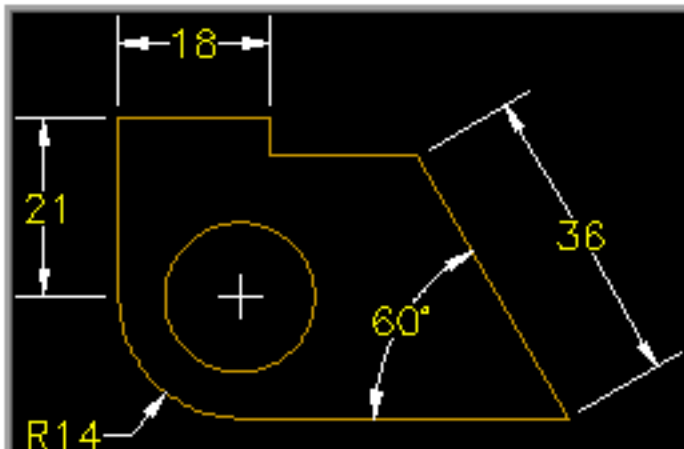
Linetype: ByBlock

Lineweight: ByBlock

Extend beyond ticks: 0

Baseline spacing: 3.75

Suppress: Dim line 1 Dim line 2



Extension lines

Color: ByBlock

Linetype ext line 1: ByBlock

Linetype ext line 2: ByBlock

Lineweight: ByBlock

Suppress: Ext line 1 Ext line 2

Extend beyond dim lines: 3.175

Offset from origin: 1.5875

Fixed length extension lines

Length: 1

OK

Cancel

Help

Lines Symbols and Arrows Text Fit Primary Units Alternate Units Tolerances

Arrowheads

First:

Closed filled

Second:

Closed filled

Leader:

Closed filled

Arrow size:

3.175

Center marks

None

Mark

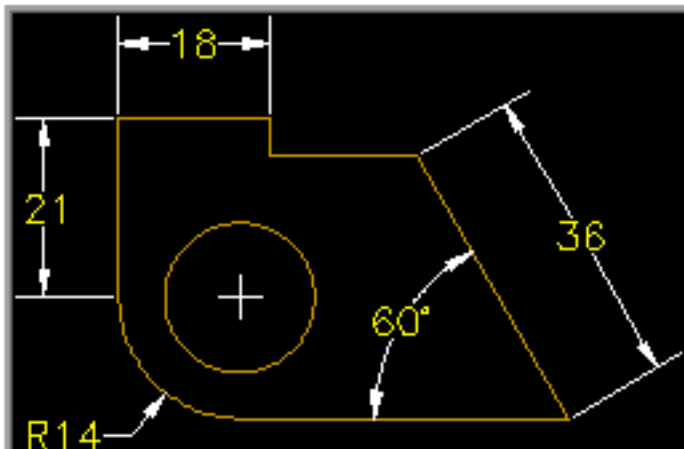
Line

2.5

Dimension Break

Break size:

3.75



Arc length symbol

Preceding dimension text

Above dimension text

None

Radius jog dimension

Jog angle:

45

Linear jog dimension

Jog height factor:

1.5

* Text height

OK

Cancel

Help

Lines Symbols and Arrows Text Fit Primary Units Alternate Units Tolerances

Text appearance

Text style: GS DIMS ANNOTATI ...

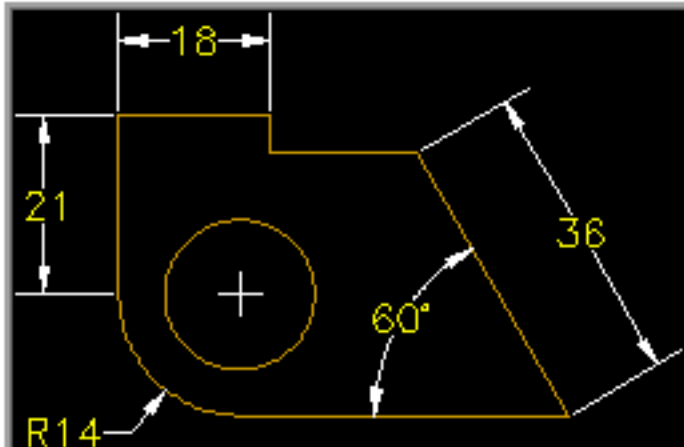
Text color: Yellow

Fill color: None

Text height: 3.175

Fraction height scale: 1

Draw frame around text



Text placement

Vertical: Centered

Horizontal: Centered

View Direction: Left-to-Right

Offset from dim line: 0.625

Text alignment

- Horizontal
- Aligned with dimension line
- ISO standard

OK Cancel Help

Lines Symbols and Arrows Text **Fit** Primary Units Alternate Units Tolerances

Fit options

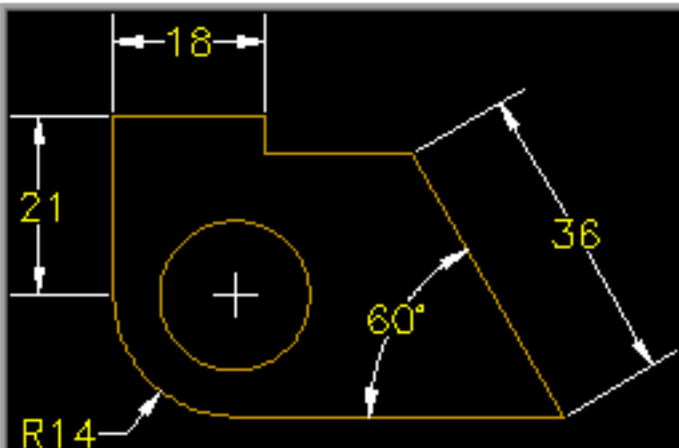
If there isn't enough room to place both text and arrows inside extension lines, the first thing to move outside the extension lines is:

- Either text or arrows (best fit)
- Arrows
- Text
- Both text and arrows
- Always keep text between ext lines
- Suppress arrows if they don't fit inside extension lines

Text placement

When text is not in the default position, place it:

- Beside the dimension line
- Over dimension line, with leader
- Over dimension line, without leader



Scale for dimension features

- Annotative
- Scale dimensions to layout
- Use overall scale of:

Fine tuning

- Place text manually
- Draw dim line between ext lines

OK Cancel Help

Lines | Symbols and Arrows | Text | Fit | Primary Units | Alternate Units | Tolerances

Linear dimensions

Unit format:

Precision:

Fraction format:

Decimal separator:

Round off:

Prefix:

Suffix:

Measurement scale

Scale factor:

Apply to layout dimensions only

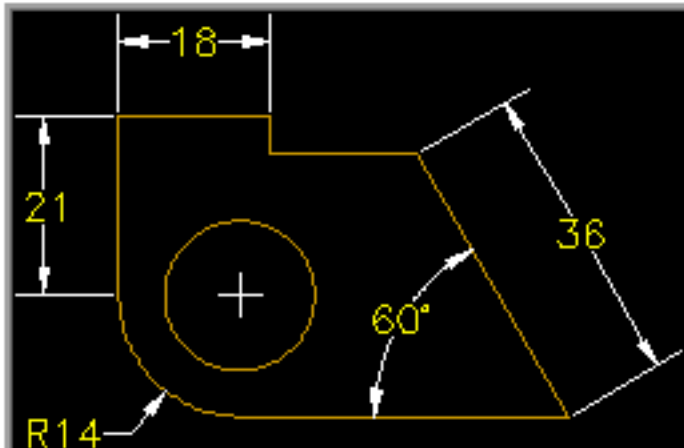
Zero suppression

Leading Trailing

Sub-units factor: 0 feet

0 inches

Sub-unit suffix:



Angular dimensions

Units format:

Precision:

Zero suppression

Leading

Trailing

OK

Cancel

Help

Lines | Symbols and Arrows | Text | Fit | Primary Units | **Alternate Units** | Tolerances

Display alternate units

Alternate units

Unit format:

Precision:

Multiplier for alt units:

Round distances to:

Prefix:

Suffix:

Zero suppression

Leading

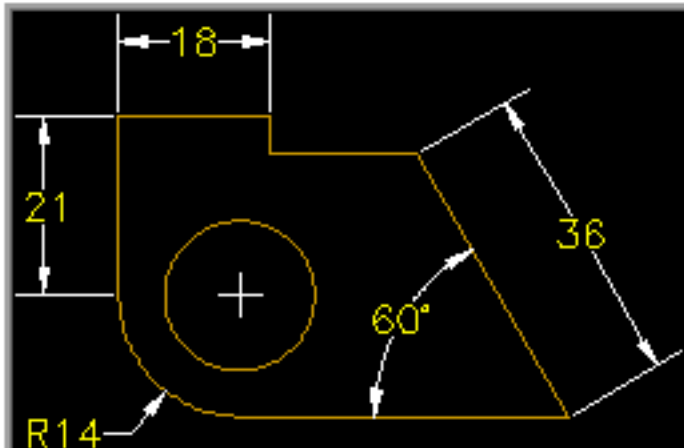
Trailing

Sub-units factor:

0 feet

0 inches

Sub-units suffix:



Placement

After primary value

Below primary value

OK

Cancel

Help

Lines Symbols and Arrows Text Fit Primary Units Alternate Units Tolerances

Tolerance format

Method:

Precision:

Upper value:

Lower value:

Scaling for height:

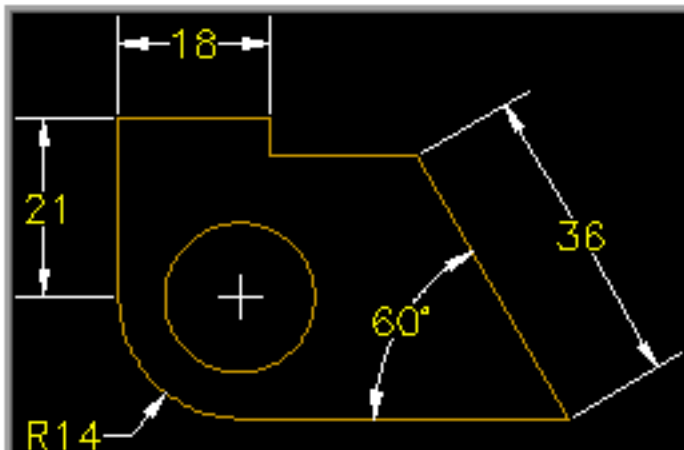
Vertical position:

Tolerance alignment

- Align decimal separators
- Align operational symbols

Zero suppression

- Leading 0 feet
- Trailing 0 inches



Alternate unit tolerance

Precision:

Zero suppression

- Leading 0 feet
- Trailing 0 inches

OK Cancel Help