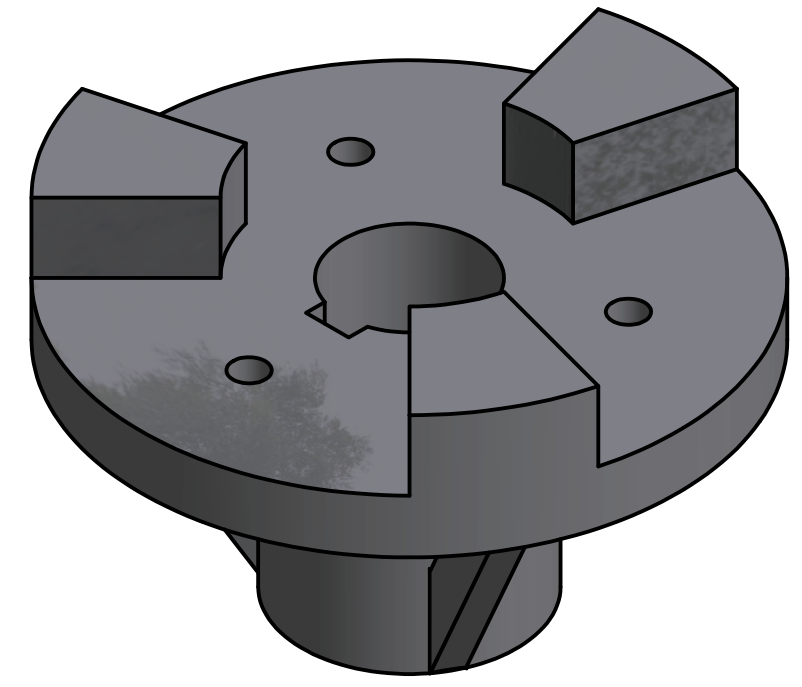
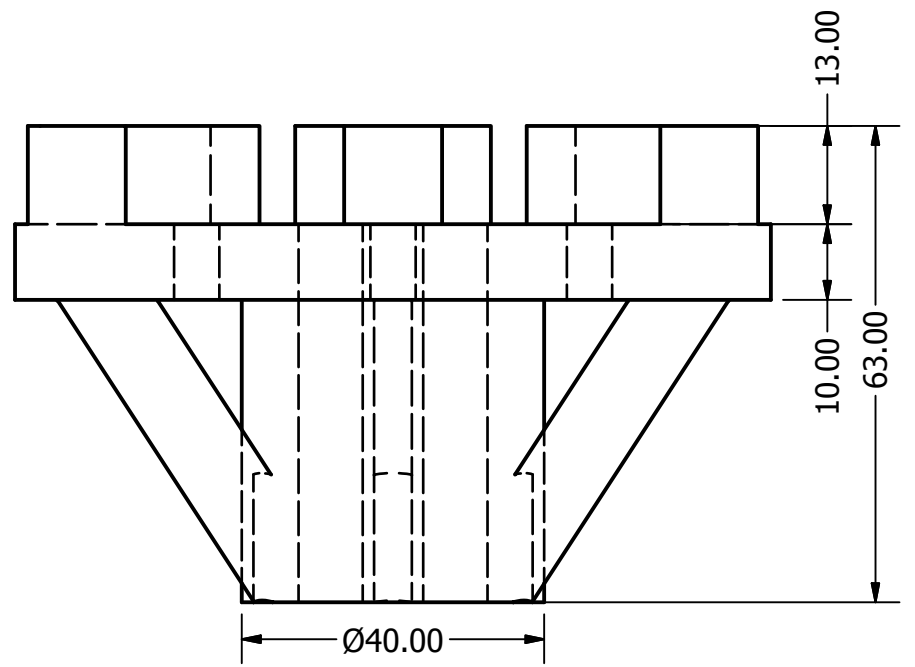
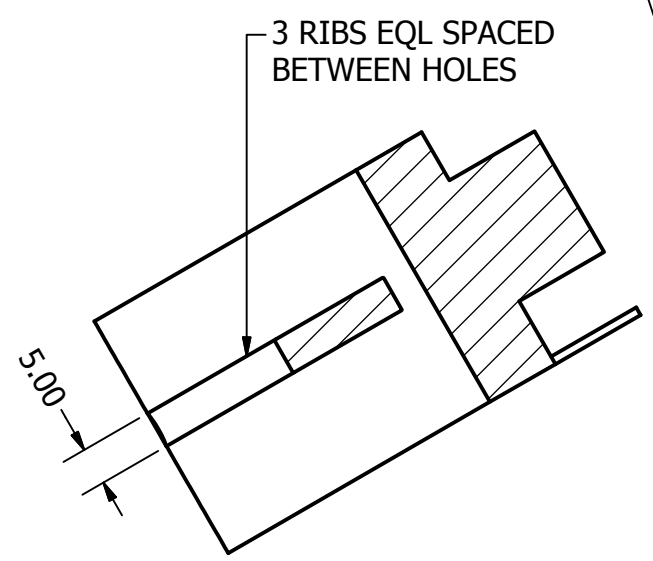
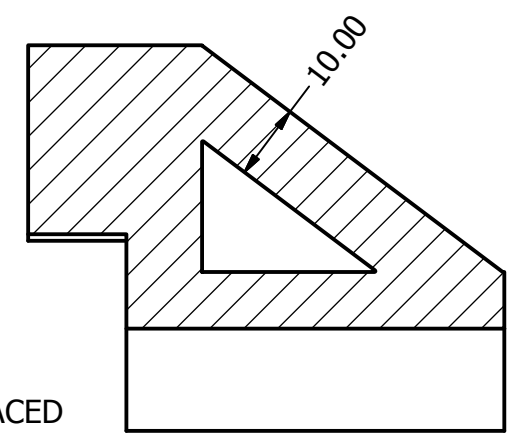
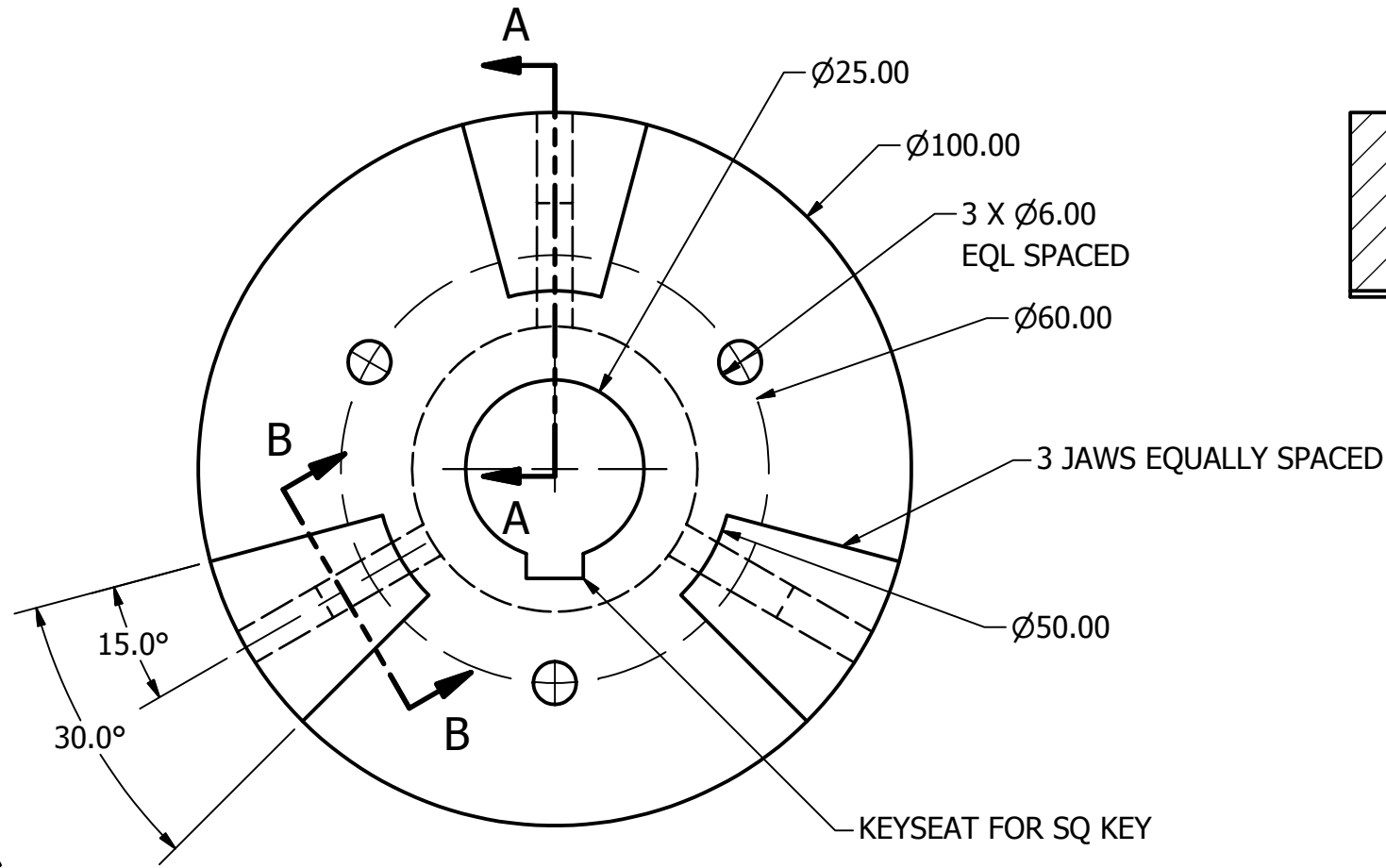


PARTS LIST		
ITEM	QTY	PART NUMBER
1	1	6-126 MOUNTING BRACKET



ROUNDS AND FILLETS R.12
MATL - CAST STEEL

MOUNTING BRACKET
SCALE 1 : 1

DIGITAL DESIGN GRAPHICS TECHNOLOGY	NAME:	G. STROMMEN	DRAWING NAME: MOUNTING BRACKET	SHEET #: 1 OF 1
	COURSE:	DDGT 120		
	DATE:	9/21/2009		