

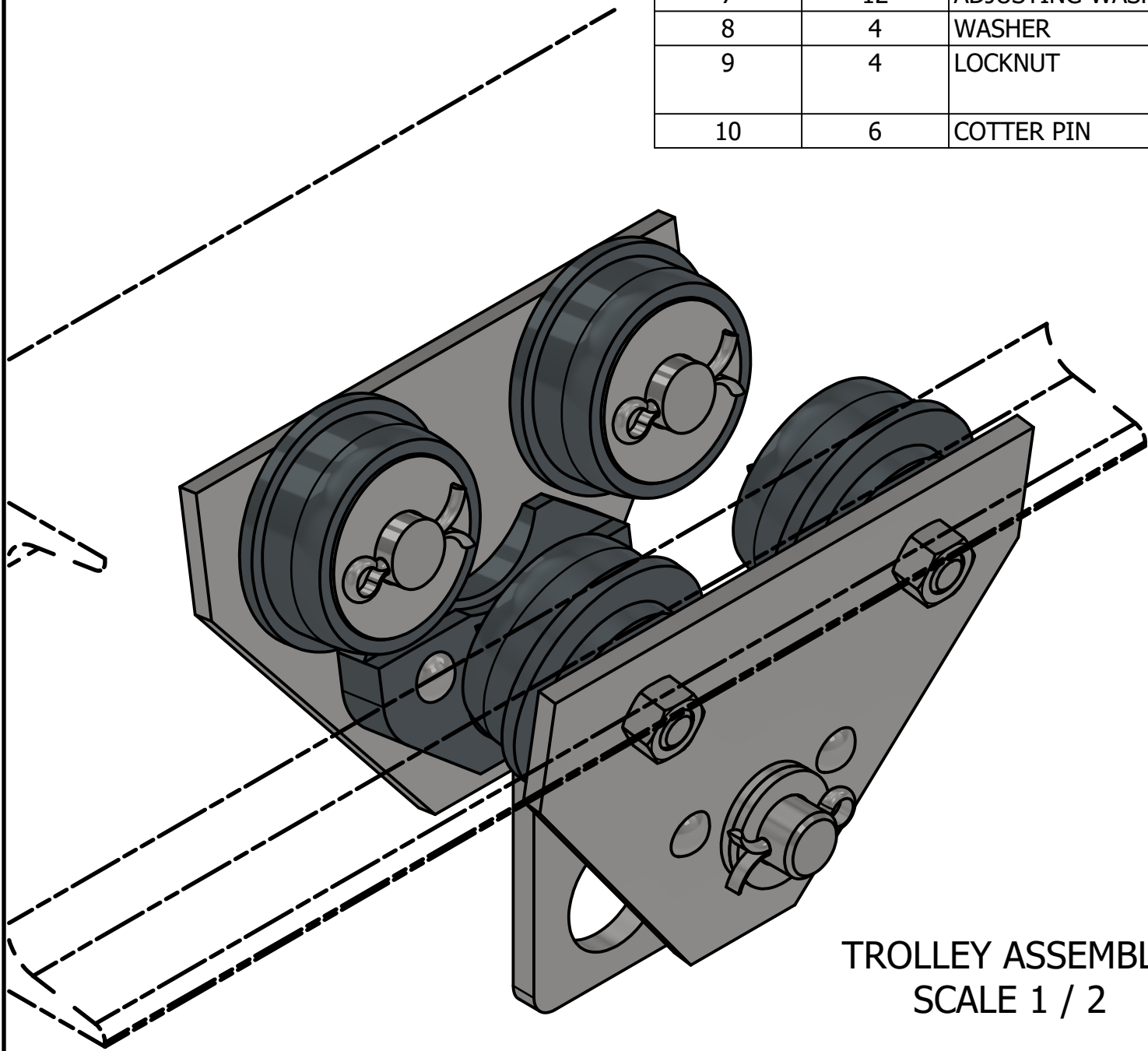
METRIC

PARTS LIST				
ITEM	QTY	PART NUMBER	MATERIAL	DESCRIPTION
1	2	SIDE PLATE SUB-ASSEMBLY		
1.1	1	SIDE PLATE	MILD STEEL	
1.2	1	GUIDE	CAST IRON	
1.3	2	RIVET	STANDARD	BUTTON HEAD, Ø10 X 60 LONG
2	1	AXLE	COLD ROLLED STEEL	
3	1	HOOK	MILD STEEL	10 THICK
4	44	ROLLER BEARING	COLD ROLLED STEEL	Ø10 X 38 LONG
5	4	WHEEL	CAST IRON	
6	4	WHEEL AXLE	COLD ROLLED STEEL	
7	12	ADJUSTING WASHER	STANDARD	Ø24ID X Ø44OD X 4 THICK
8	4	WASHER	STANDARD	Ø26ID X Ø65OD X 3 THICK
9	4	LOCKNUT	STANDARD	M16 x 2 (PREVAILING TORQUE INSERT*TYPE)
10	6	COTTER PIN	STANDARD	Ø6 X 40 LONG



DIGITAL DESIGN
GRAPHICS
TECHNOLOGY

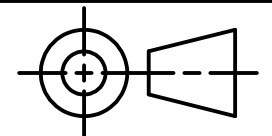
WWW.DDGT.NET



TROLLEY ASSEMBLY
SCALE 1 / 2

LEGEND:

- ∅ DIAMETER
- R RADIUS
- ° DEGREES



TOLERANCES UNLESS SPECIFIED:
MILLIMETERS:
WHOLE NUMBERS = ±.5
XX = ±.25
XXX = ±.12
FRACTIONAL ±1/64"
ANGLES ±1 DEGREE
SURFACES $\sqrt{32}$

CLASS: DDGT-120

ASSIGNMENT #: 70

INVENTOR DRAWING NAME:
TROLLEY

FIG #: 14-83

MANAGER: G. STROMMEN

DRAFTER: L. J. MELBY

DATE: 12/11/2025

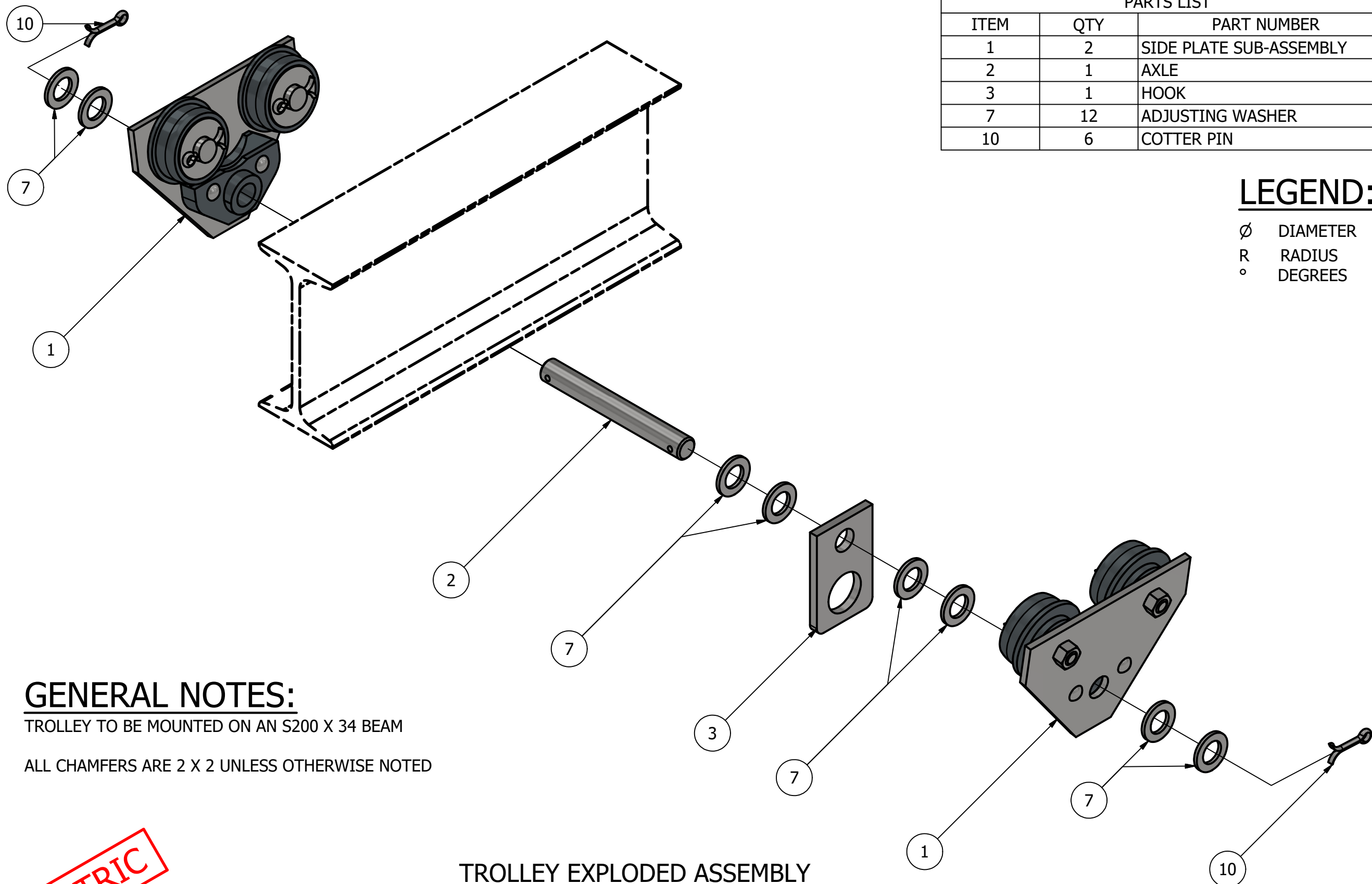
SCALE: AS NOTED

PAGE #: 1 OF 6

GENERAL NOTES:

TROLLEY TO BE MOUNTED ON AN S200 X 34 BEAM

ALL CHAMFERS ARE 2 X 2 UNLESS OTHERWISE NOTED



PARTS LIST		
ITEM	QTY	PART NUMBER
1	2	SIDE PLATE SUB-ASSEMBLY
2	1	AXLE
3	1	HOOK
7	12	ADJUSTING WASHER
10	6	COTTER PIN

LEGEND:

- ∅ DIAMETER
- R RADIUS
- ° DEGREES

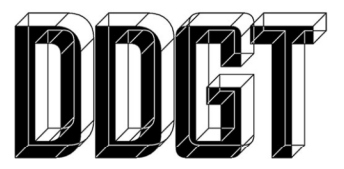
GENERAL NOTES:

TROLLEY TO BE MOUNTED ON AN S200 X 34 BEAM

ALL CHAMFERS ARE 2 X 2 UNLESS OTHERWISE NOTED

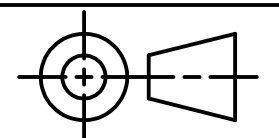
METRIC

TROLLEY EXPLODED ASSEMBLY
SCALE 1 / 4



DIGITAL DESIGN
GRAPHICS
TECHNOLOGY

WWW.DDGT.NET



TOLERANCES UNLESS SPECIFIED:
MILLIMETERS:
WHOLE NUMBERS = ±.5
XX = ±.25
XXX = ±.12
FRACTIONAL ±1/64"
ANGLES ±1 DEGREE
SURFACES ³²✓

CLASS: DDGT-120

ASSIGNMENT #: 70

INVENTOR DRAWING NAME:
TROLLEY

FIG #: 14-83

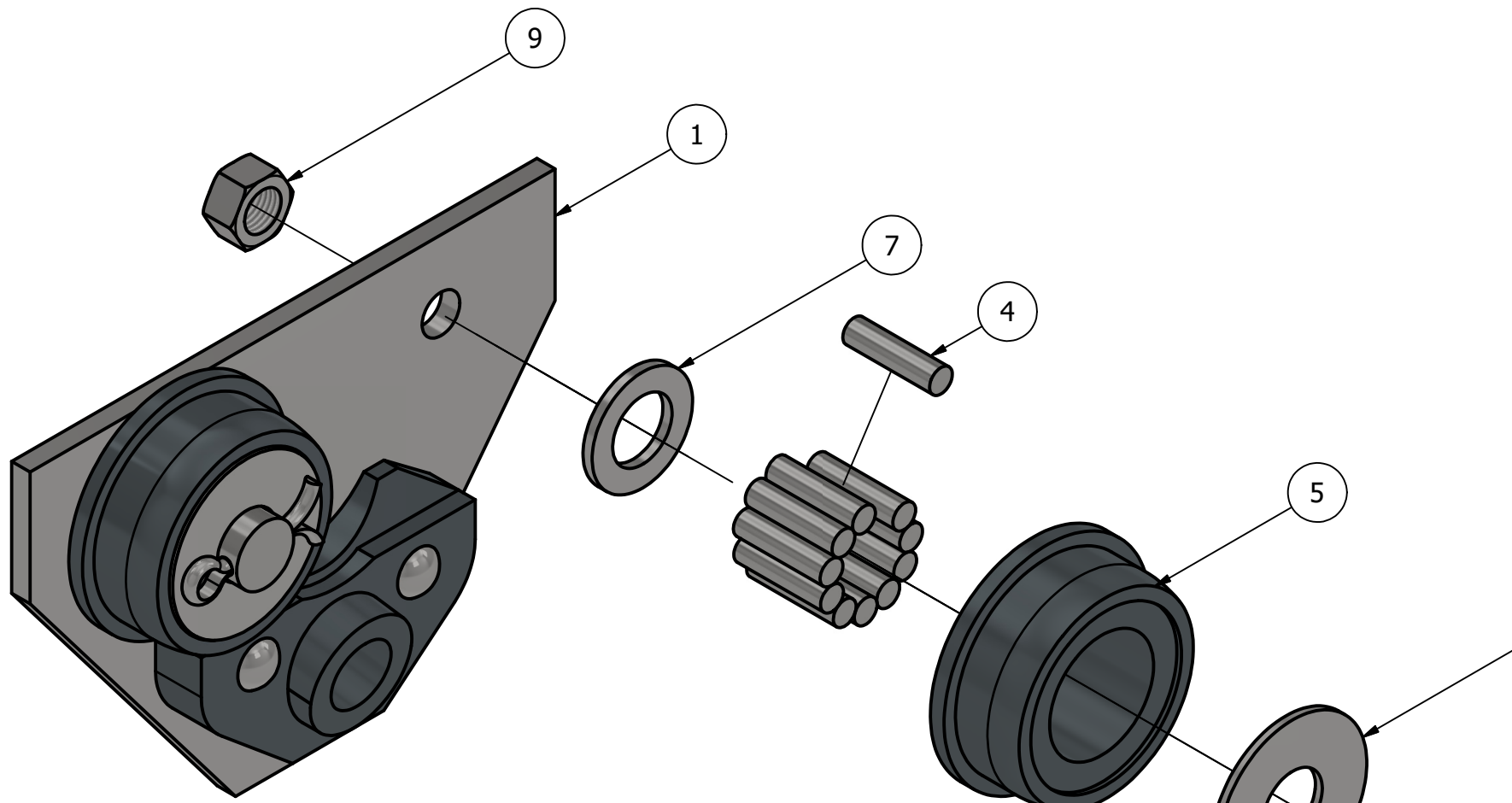
MANAGER: G. STROMMEN

DRAFTER: L. J. MELBY

DATE: 12/11/2025

SCALE: AS NOTED

PAGE #: 2 OF 6



WHEEL SUB-ASSEMBLY
SCALE 1 / 2

GENERAL NOTES:

TROLLEY TO BE MOUNTED ON AN S200 X 34 BEAM

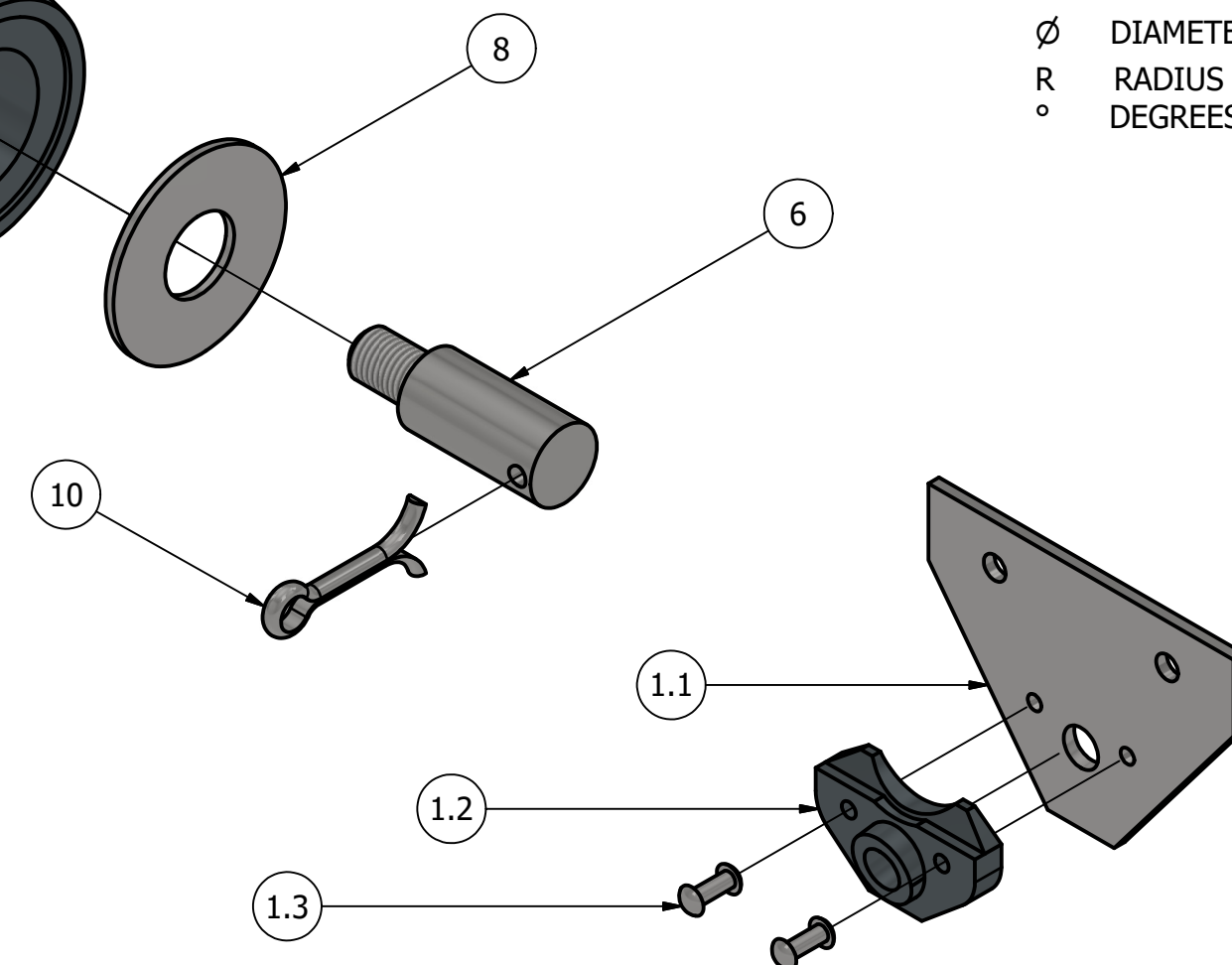
ALL CHAMFERS ARE 2 X 2 UNLESS OTHERWISE NOTED

METRIC

PARTS LIST		
ITEM	QTY	PART NUMBER
1	2	SIDE PLATE SUB-ASSEMBLY
1.1	1	SIDE PLATE
1.2	1	GUIDE
1.3	2	RIVET
4	44	ROLLER BEARING
5	4	WHEEL
6	4	WHEEL AXLE
7	12	ADJUSTING WASHER
8	4	WASHER
9	4	LOCKNUT
10	6	COTTER PIN

LEGEND:

- ∅ DIAMETER
- R RADIUS
- ° DEGREES

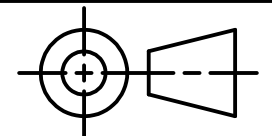


SIDE PLATE SUB-ASSEMBLY
SCALE 1 / 4



DIGITAL DESIGN
GRAPHICS
TECHNOLOGY

WWW.DDGT.NET



TOLERANCES UNLESS SPECIFIED:
MILLIMETERS:
WHOLE NUMBERS = ±.5
XX = ±.25
XXX = ±.12
FRACTIONAL ±1/64"
ANGLES ±1 DEGREE
SURFACES 32✓

CLASS: DDGT-120

ASSIGNMENT #: 70

INVENTOR DRAWING NAME:
TROLLEY

FIG #: 14-83

MANAGER: G. STROMMEN

DRAFTER: L. J. MELBY

DATE: 12/11/2025

SCALE: AS NOTED

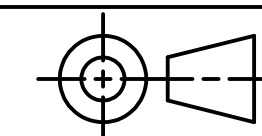
PAGE #: 3 OF 6

PARTS LIST		
ITEM	QTY	PART NUMBER
1.1	2	SIDE PLATE



DIGITAL DESIGN
GRAPHICS
TECHNOLOGY

WWW.DDGT.NET



TOLERANCES UNLESS SPECIFIED:
MILLIMETERS:
WHOLE NUMBERS = ±.5
XX = ±.25
XXX = ±.12
FRACTIONAL ±1/64"
ANGLES ±1 DEGREE
SURFACES $\sqrt{32}$

CLASS: DDGT-120

ASSIGNMENT #: 70

INVENTOR DRAWING NAME:
TROLLEY

FIG #: 14-83

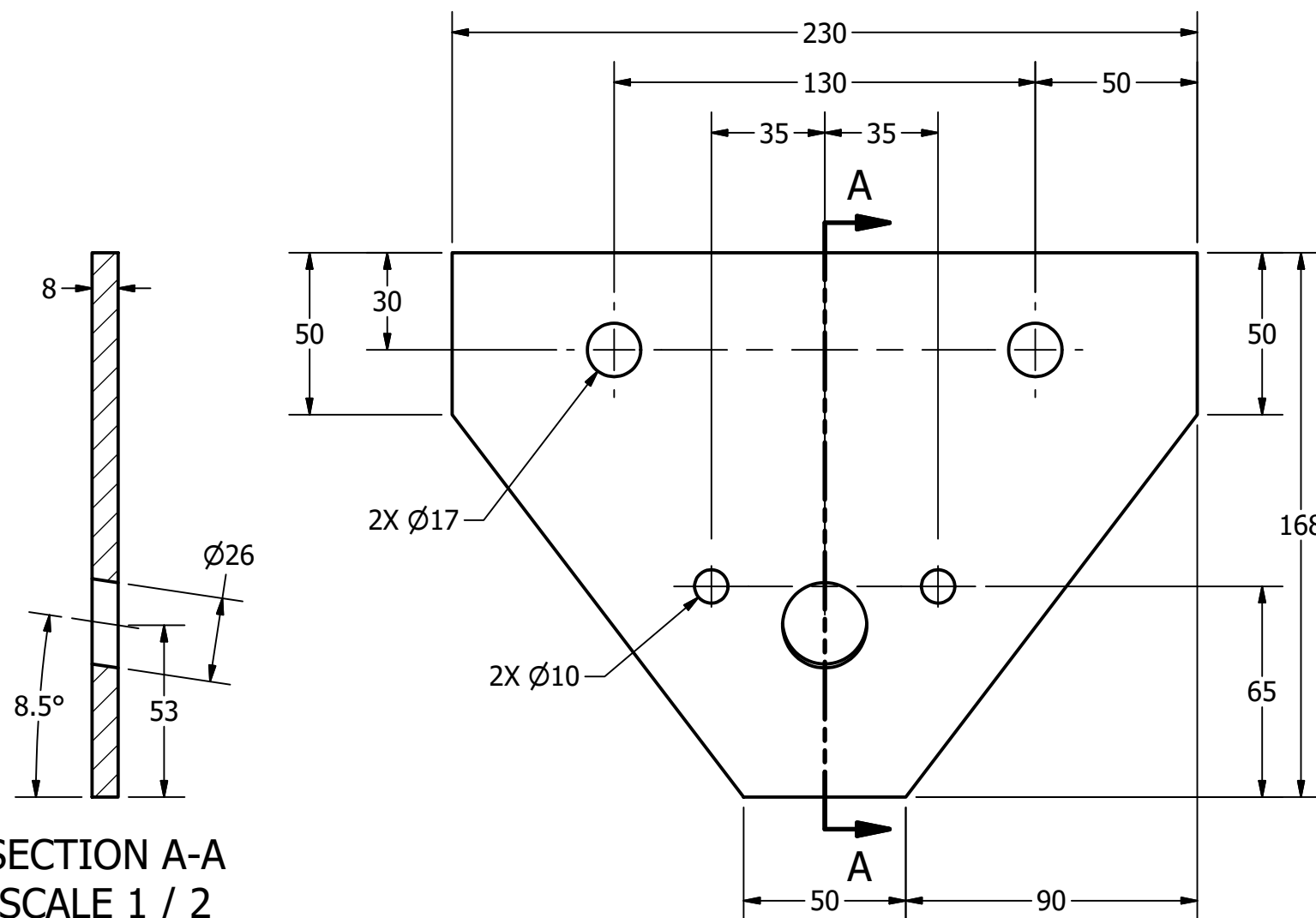
MANAGER: G. STROMMEN

DRAFTER: L. J. MELBY

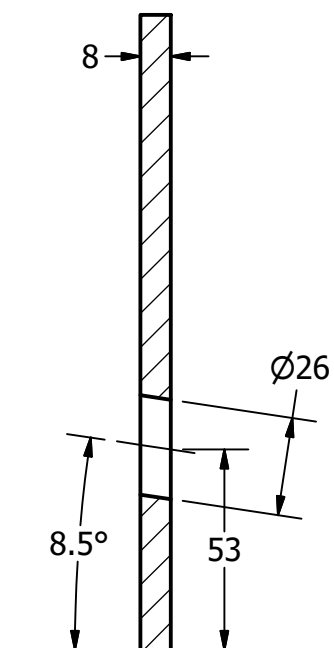
DATE: 12/11/2025

SCALE: AS NOTED

PAGE #: 4 OF 6



SIDE PLATE
SCALE 1 / 2



SECTION A-A
SCALE 1 / 2

GENERAL NOTES:

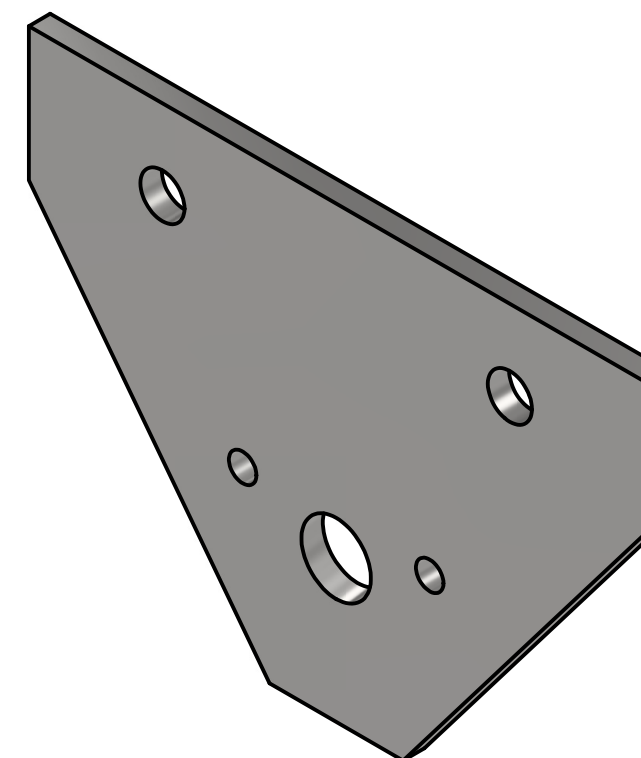
TROLLEY TO BE MOUNTED ON AN S200 X 34 BEAM

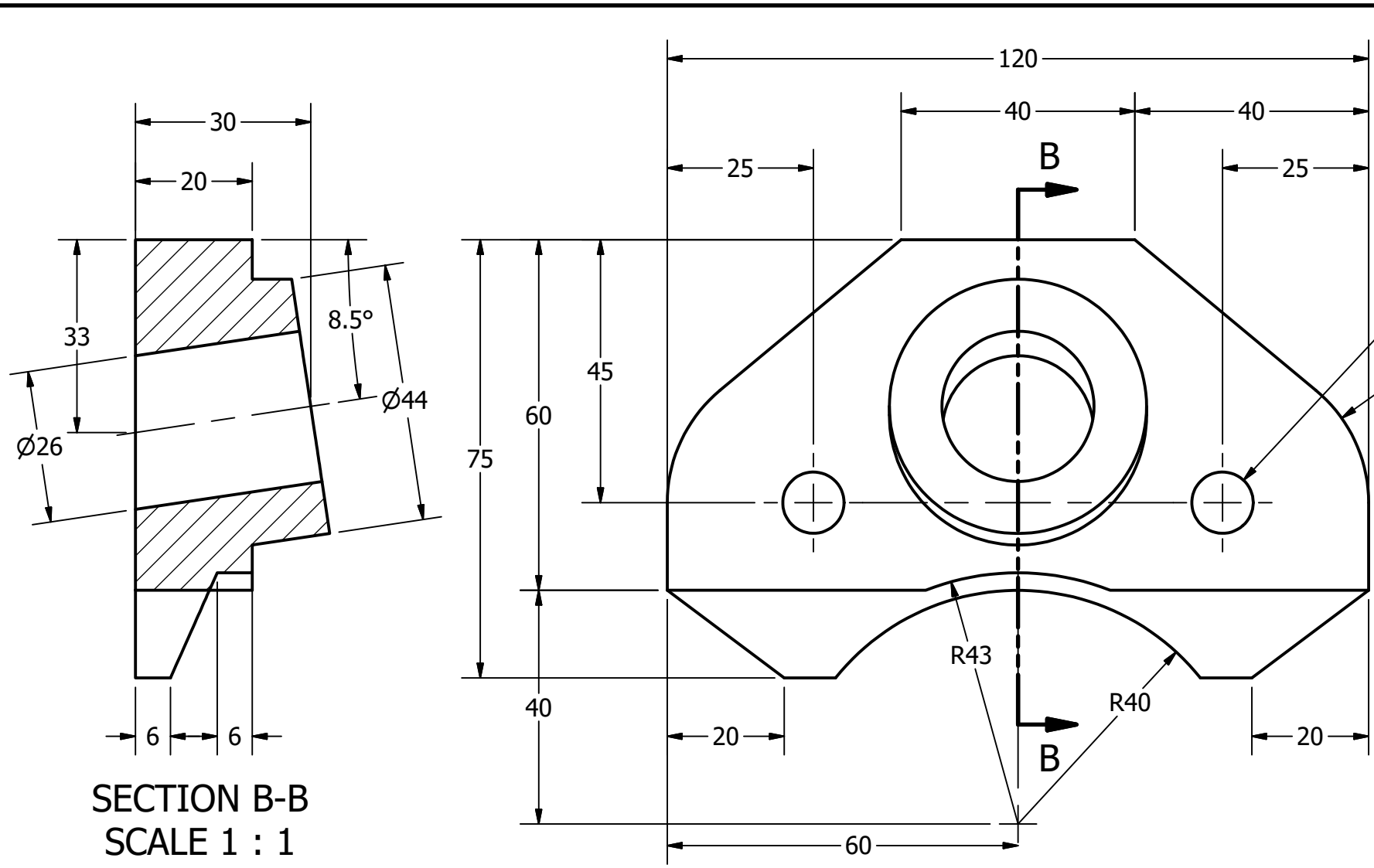
ALL CHAMFERS ARE 2 X 2 UNLESS OTHERWISE NOTED

METRIC

LEGEND:

- Ø DIAMETER
- R RADIUS
- ° DEGREES

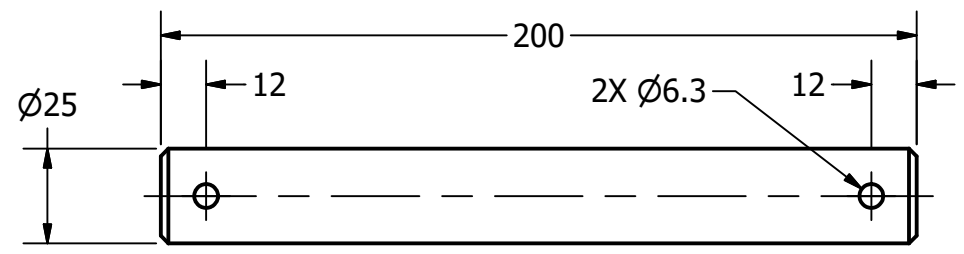
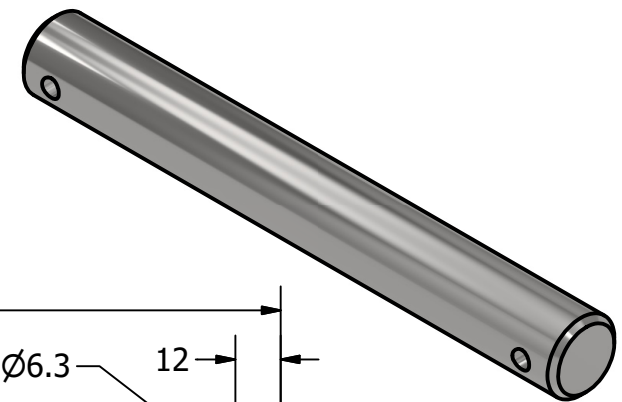
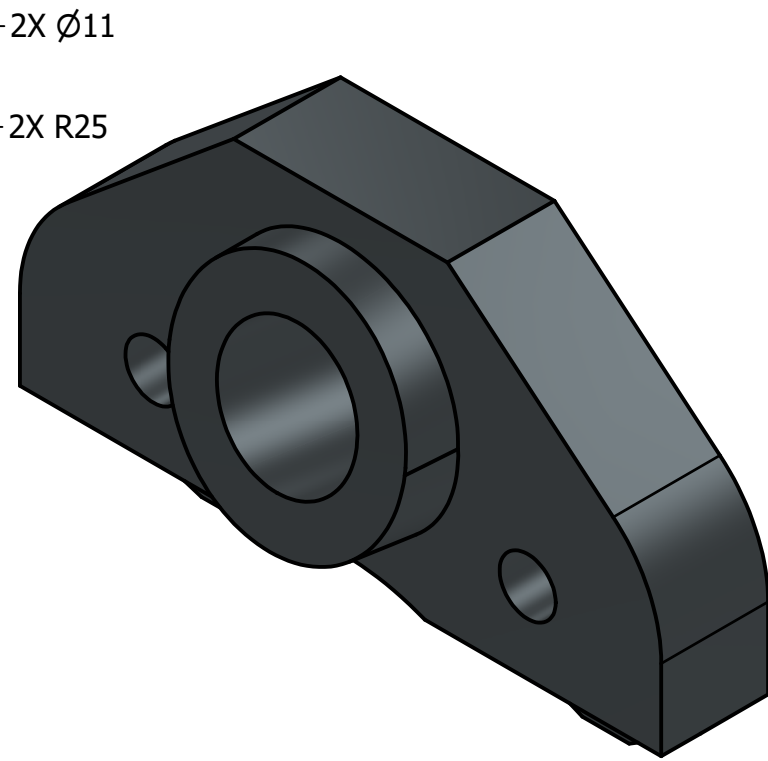




SECTION B-B
SCALE 1 : 1

GUIDE
SCALE 1 : 1

PARTS LIST		
ITEM	QTY	PART NUMBER
1.2	2	GUIDE
2	1	AXLE



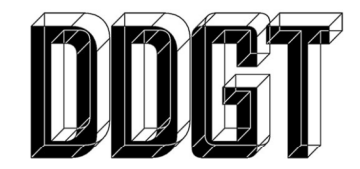
AXLE
SCALE 1 / 2

GENERAL NOTES:

TROLLEY TO BE MOUNTED ON AN S200 X 34 BEAM
ALL CHAMFERS ARE 2 X 2 UNLESS OTHERWISE NOTED

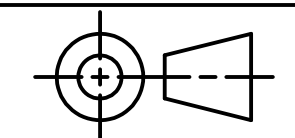
LEGEND:

- ∅ DIAMETER
- R RADIUS
- ° DEGREES



DIGITAL DESIGN
GRAPHICS
TECHNOLOGY

WWW.DDGT.NET



TOLERANCES UNLESS SPECIFIED:
MILLIMETERS:
WHOLE NUMBERS = ±.5
XX = ±.25
XXX = ±.12
FRACTIONAL ±1/64"
ANGLES ±1 DEGREE
SURFACES 32✓

CLASS: DDGT-120

ASSIGNMENT #: 70

INVENTOR DRAWING NAME:
TROLLEY

FIG #: 14-83

MANAGER: G. STROMMEN

DRAFTER: L. J. MELBY

DATE: 12/11/2025

SCALE: AS NOTED

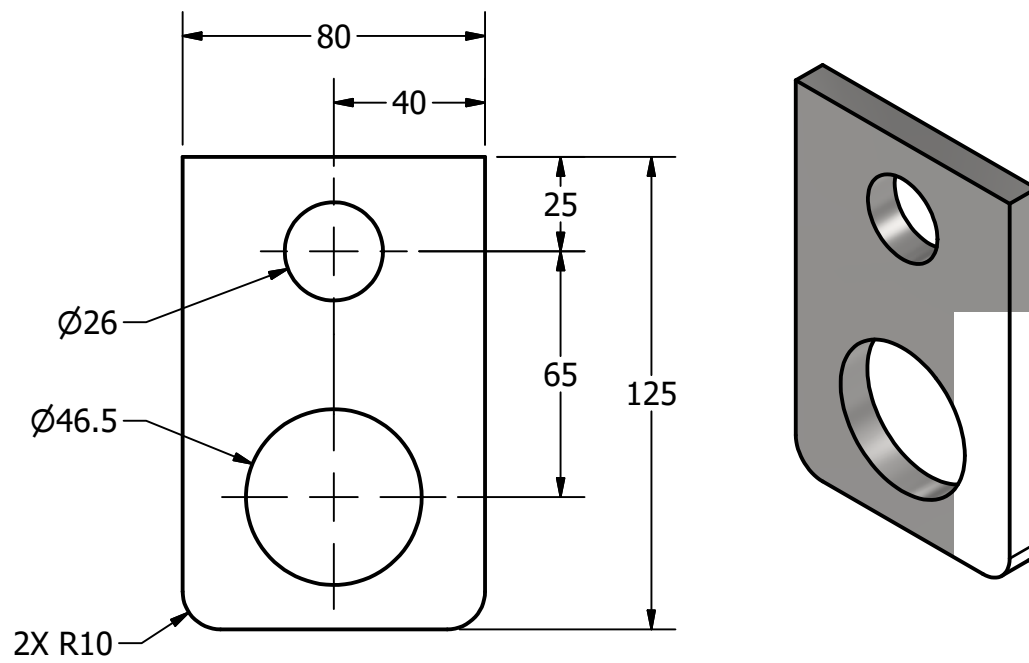
PAGE #: 5 OF 6

METRIC

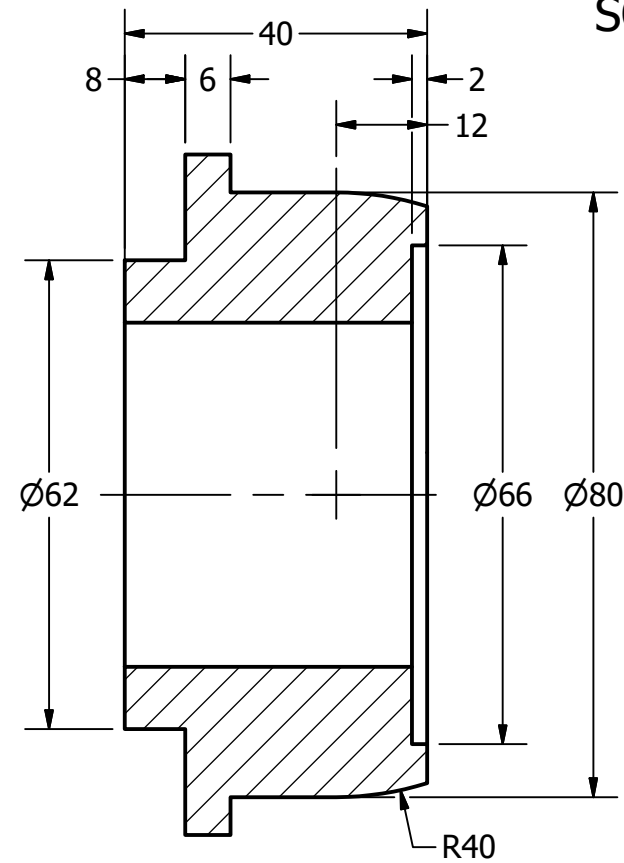
LEGEND:

- ∅ DIAMETER
- R RADIUS
- ° DEGREES

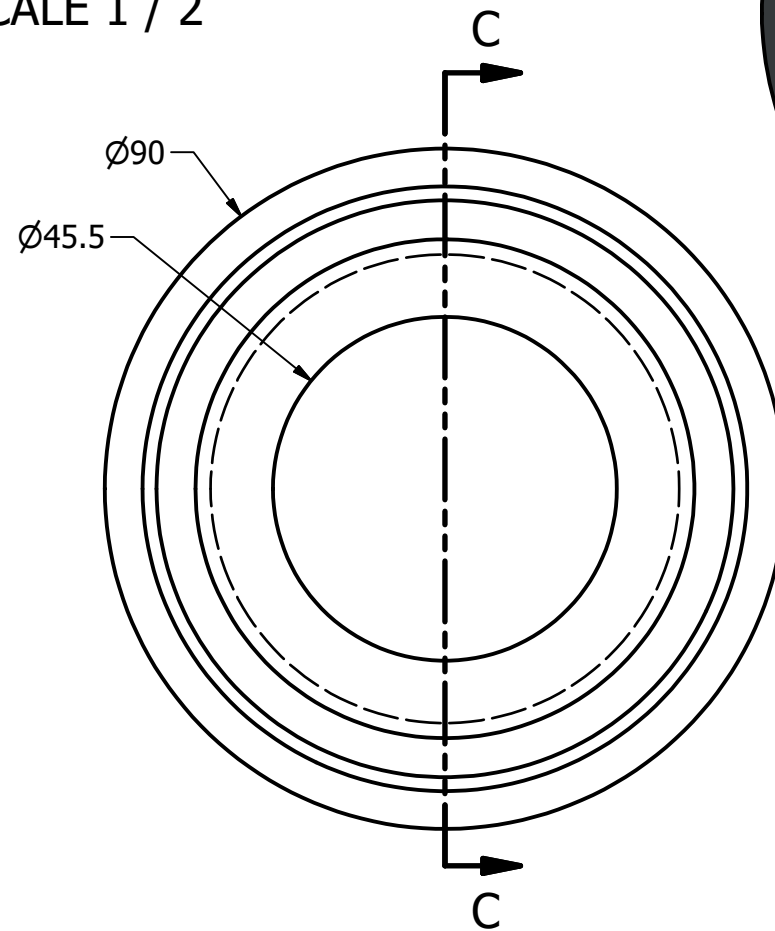
METRIC



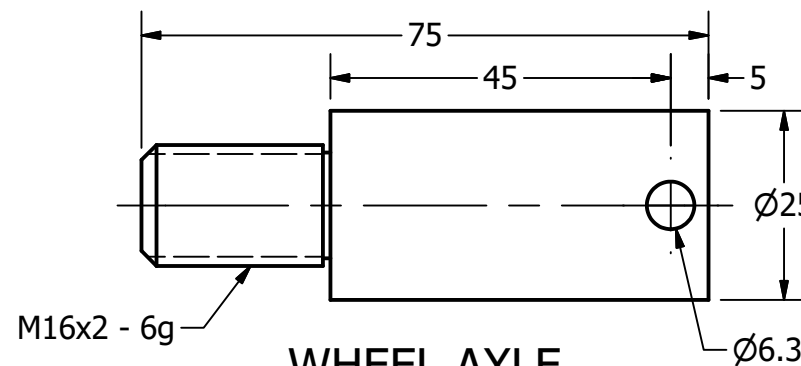
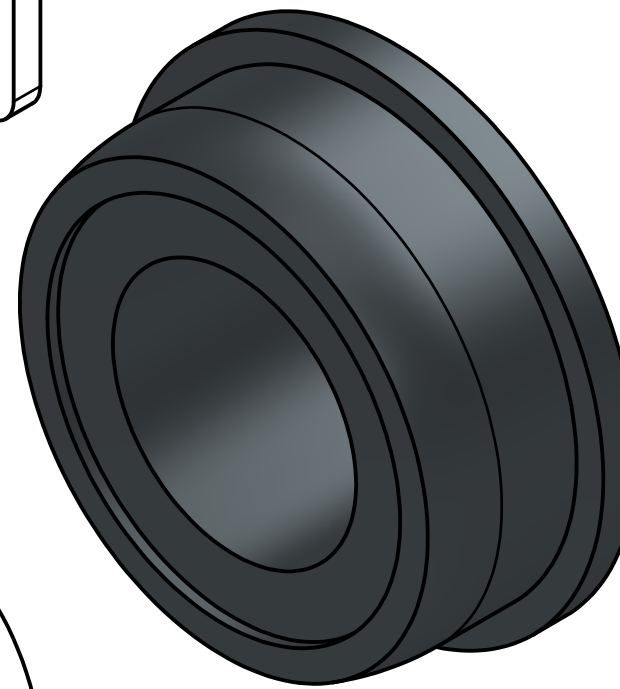
HOOK
SCALE 1 / 2



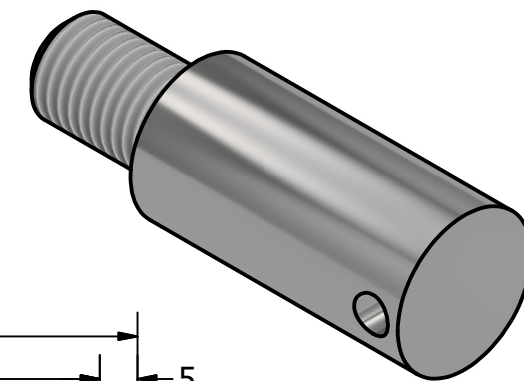
SECTION C-C
SCALE 1 : 1



WHEEL
SCALE 1 : 1



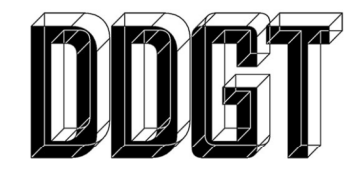
WHEEL AXLE
SCALE 1 : 1



PARTS LIST		
ITEM	QTY	PART NUMBER
3	1	HOOK
5	4	WHEEL
6	4	WHEEL AXLE

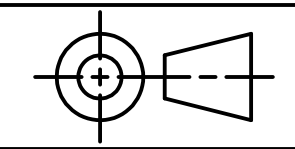
GENERAL NOTES:

TROLLEY TO BE MOUNTED ON AN S200 X 34 BEAM
ALL CHAMFERS ARE 2 X 2 UNLESS OTHERWISE NOTED



DIGITAL DESIGN
GRAPHICS
TECHNOLOGY

WWW.DDGT.NET



TOLERANCES UNLESS SPECIFIED:
MILLIMETERS:
WHOLE NUMBERS = ±.5
XX = ±.25
XXX = ±.12
FRACTIONAL ±1/64"
ANGLES ±1 DEGREE
SURFACES 32✓

CLASS: DDGT-120

ASSIGNMENT #: 70

INVENTOR DRAWING NAME:
TROLLEY

FIG #: 14-83

MANAGER: G. STROMMEN

DRAFTER: L. J. MELBY

DATE: 12/11/2025

SCALE: AS NOTED

PAGE #: 6 OF 6