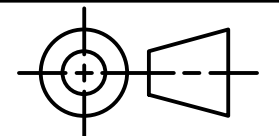
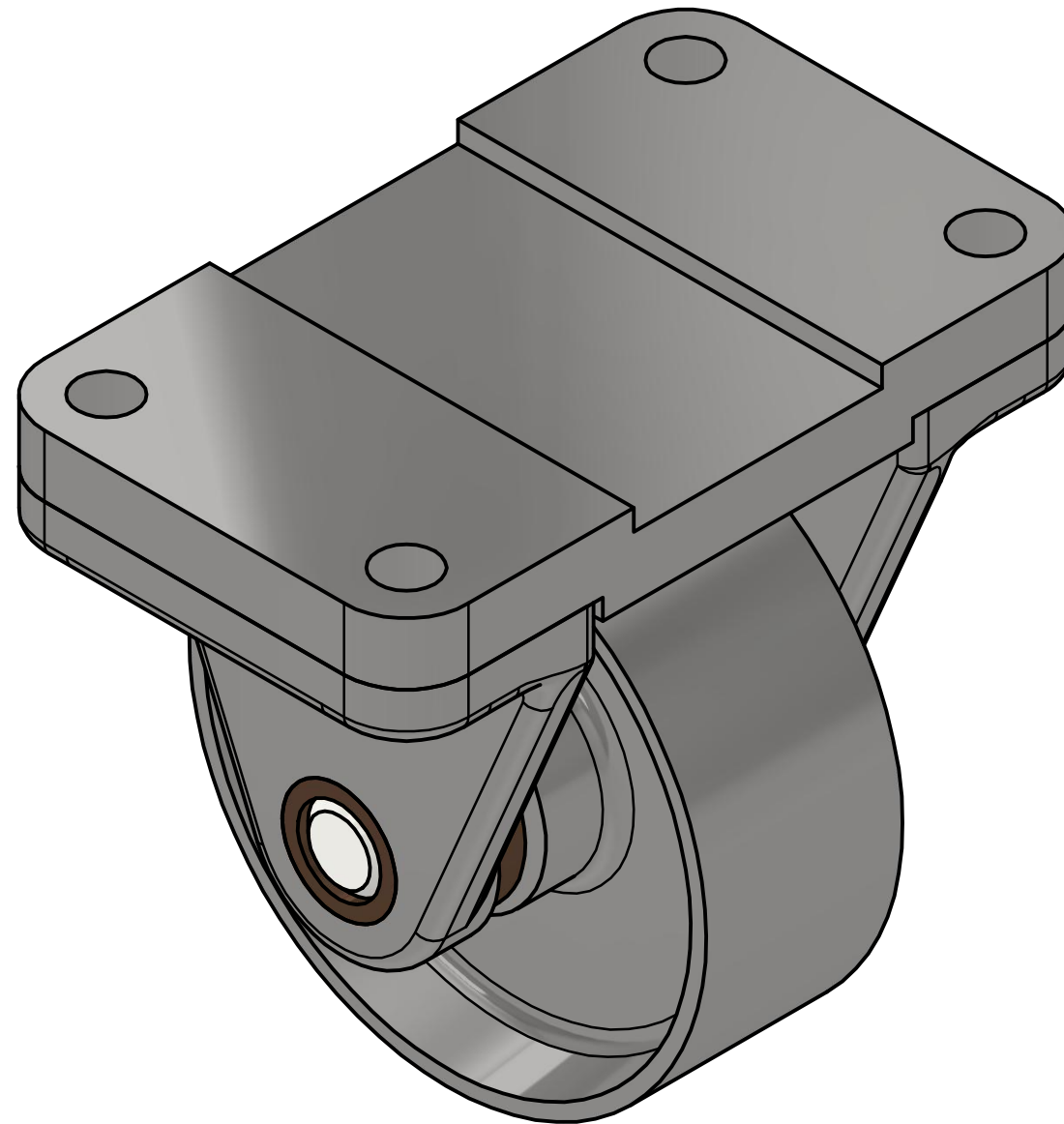


PARTS LIST			
ITEM	QTY	PART NUMBER	MATERIAL
1	1	TOP PLATE	MALLEABLE IRON
2	1	WHEEL	MALLEABLE IRON
3	2	AXLE SUPPORT	MALLEABLE IRON
4	1	AXLE	SAE 1020
5	2	BUSHING	BRONZE



DIGITAL DESIGN
GRAPHICS
TECHNOLOGY

WWW.DDGT.NET



TOLERANCES UNLESS SPECIFIED:
MILLIMETERS:
WHOLE NUMBERS = ±.5
X = ±.25
XX = ±.12
FRACTIONAL ±1/64"
ANGLES ± 1 DEGREE
SURFACES ³² ✓

CLASS: DDGT 120

ASSIGNMENT #: 67

INVENTOR DRAWING NAME:
CASTER

FIG #: 9-51

MANAGER: G. STROMMEN

DRAFTER: M. ALCANTARA

DATE: 11/24/2025

SCALE: AS NOTED

PAGE #: 1 OF 4

METRIC

GENERAL NOTES:

FASTEN ASSEMBLY TO A 6mm STEEL PLATE BY FOUR M10 X 40mm LONG HEX HEAD BOLTS, NUTS, AND LOCK WASHERS (NOT SHOWN).

ROUNDS AND FILLETS R3 UNLESS OTHERWISE STATED

CASTER ASSEMBLY
SCALE 1 : 1

LEGEND:

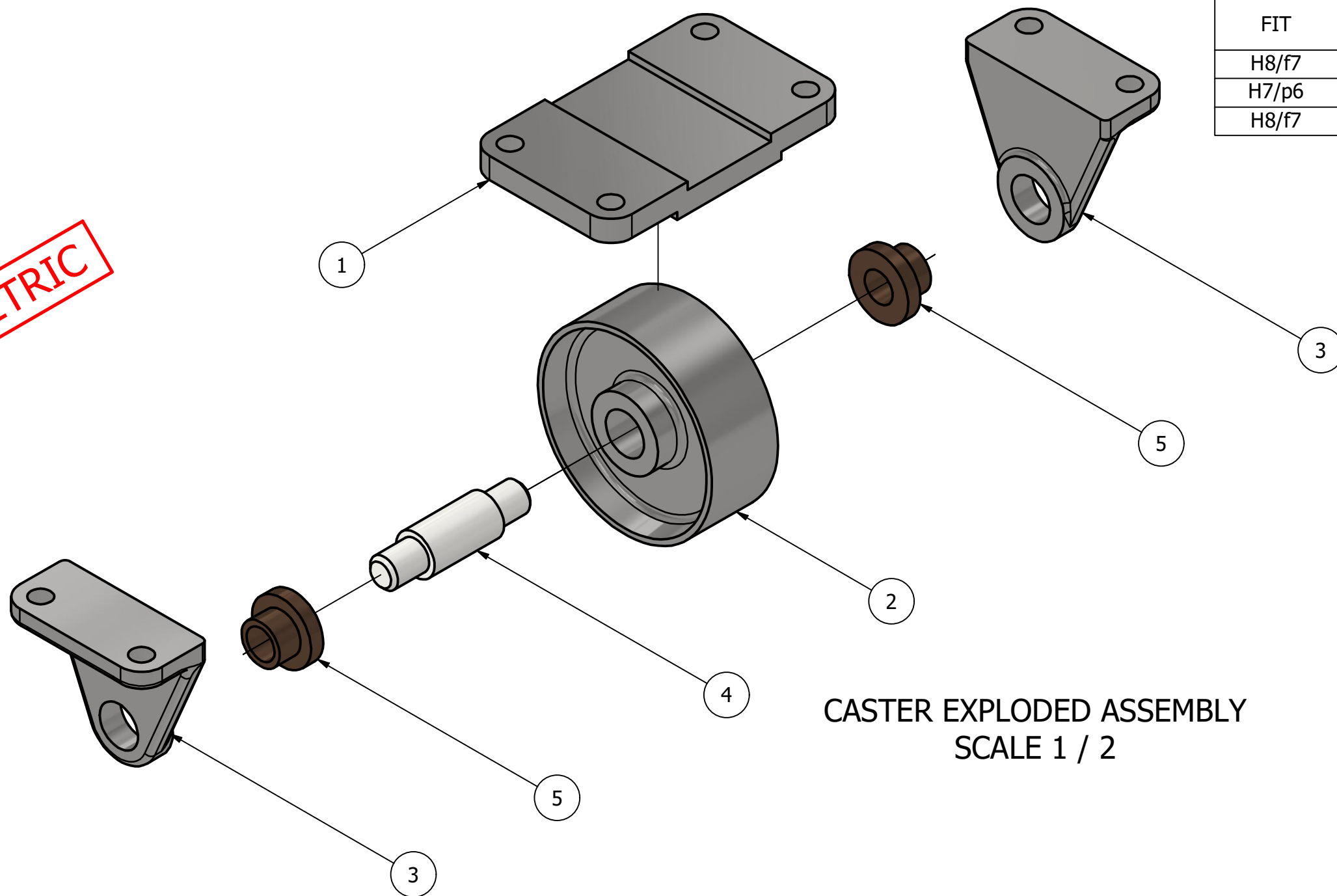
- ∅ DIAMETER
- R RADIUS
- ° DEGREES
- ┌ COUNTERBORE/
SPOTFACE

GENERAL NOTES:

FASTEN ASSEMBLY TO A 6mm STEEL PLATE BY FOUR M10 X 40mm LONG HEX HEAD BOLTS, NUTS, AND LOCK WASHERS (NOT SHOWN).

ROUNDS AND FILLETS R3 UNLESS OTHERWISE STATED

METRIC



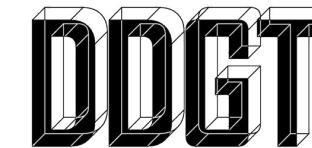
CASTER EXPLODED ASSEMBLY
SCALE 1 / 2

FIT	BETWEEN PARTS
H8/f7	4 AND 5
H7/p6	3 AND 5
H8/f7	2 AND 4

LEGEND:

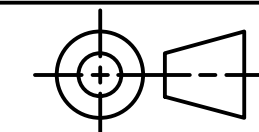
- ∅ DIAMETER
- R RADIUS
- ° DEGREES
- COUNTERBORE/
SPOTFACE

PARTS LIST		
ITEM	QTY	PART NUMBER
1	1	TOP PLATE
2	1	WHEEL
3	2	AXLE SUPPORT
4	1	AXLE
5	2	BUSHING



DIGITAL DESIGN
GRAPHICS
TECHNOLOGY

WWW.DDGT.NET



TOLERANCES UNLESS SPECIFIED:
MILLIMETERS:
WHOLE NUMBERS = ±.5
X = ±.25
XX = ±.12
FRACTIONAL ±1/64"
ANGLES ± 1 DEGREE
SURFACES ³² ✓

CLASS: DDGT 120

ASSIGNMENT #: 67

INVENTOR DRAWING NAME:
CASTER

FIG #: 9-51

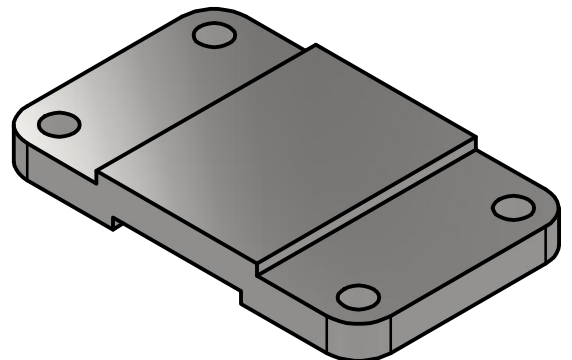
MANAGER: G. STROMMEN

DRAFTER: M. ALCANTARA

DATE: 11/24/2025

SCALE: AS NOTED

PAGE #: 2 OF 4

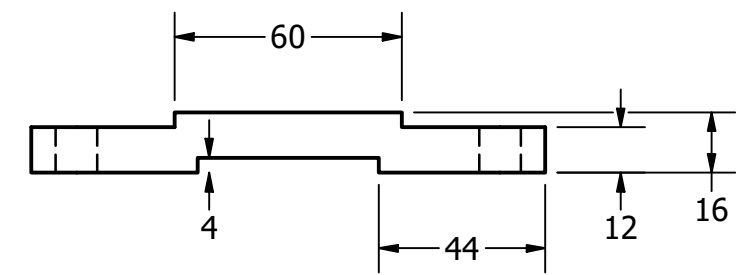
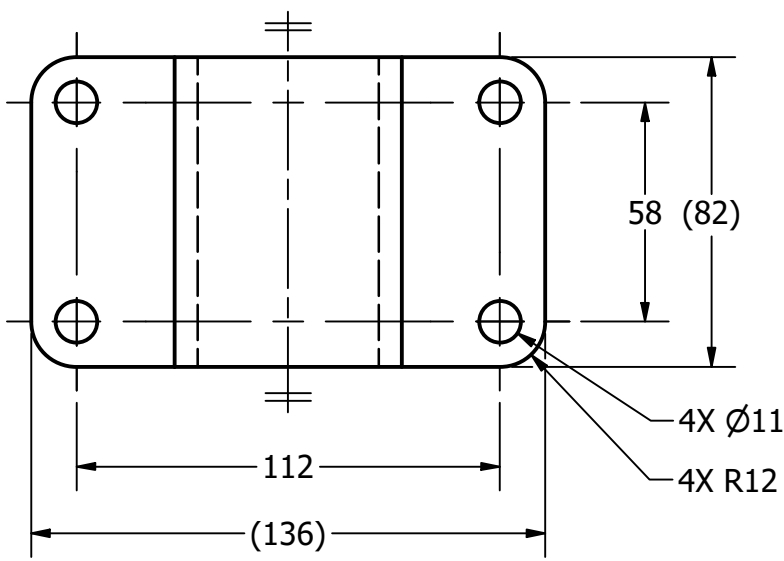
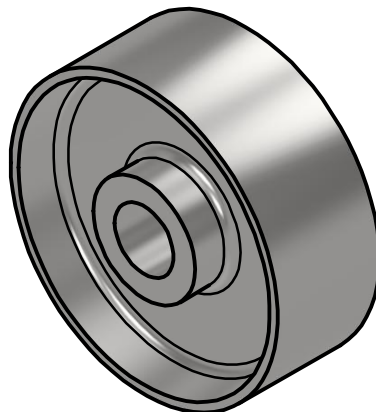


PARTS LIST		
ITEM	QTY	PART NUMBER
1	1	TOP PLATE
2	1	WHEEL

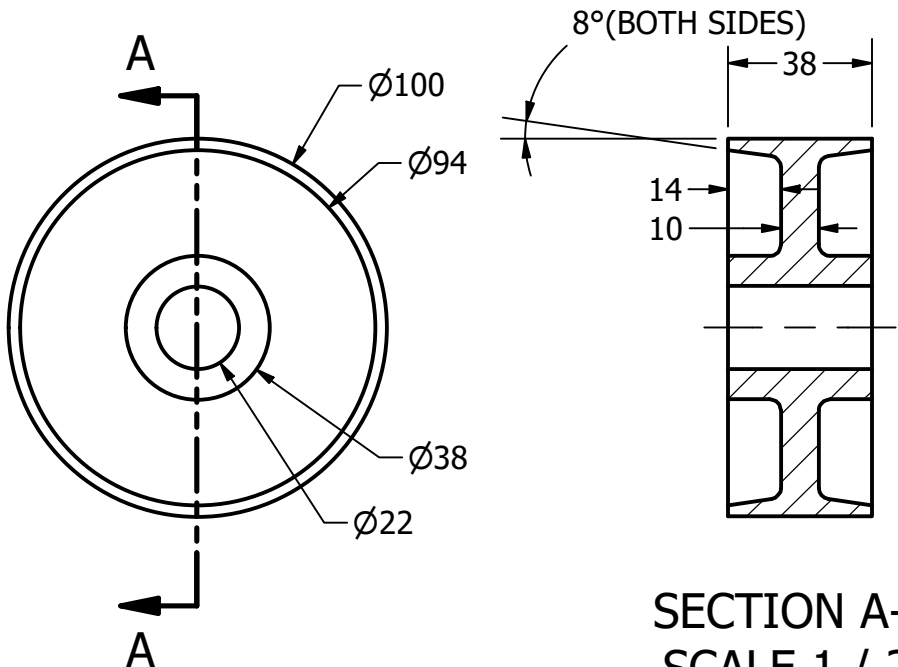


DIGITAL DESIGN
GRAPHICS
TECHNOLOGY

WWW.DDGT.NET



TOP PLATE
SCALE 1 / 2



SECTION A-A
SCALE 1 / 2

WHEEL
SCALE 1 / 2

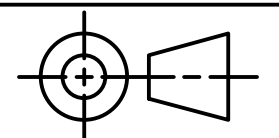
GENERAL NOTES:

FASTEN ASSEMBLY TO A 6mm STEEL PLATE BY FOUR M10 X 40mm LONG HEX HEAD BOLTS, NUTS, AND LOCK WASHERS (NOT SHOWN).

ROUNDS AND FILLETS R3 UNLESS OTHERWISE STATED

LEGEND:

- ∅ DIAMETER
- R RADIUS
- ° DEGREES
- COUNTERBORE/
SPOTFACE



TOLERANCES UNLESS SPECIFIED:
MILLIMETERS:
WHOLE NUMBERS = ±.5
X = ±.25
XX = ±.12
FRACTIONAL ±1/64"
ANGLES ± 1 DEGREE
SURFACES ³²✓

CLASS: DDGT 120

ASSIGNMENT #: 67

INVENTOR DRAWING NAME:
CASTER

FIG #: 9-51

MANAGER: G. STROMMEN

DRAFTER: M. ALCANTARA

DATE: 11/24/2025

SCALE: AS NOTED

PAGE #: 3 OF 4

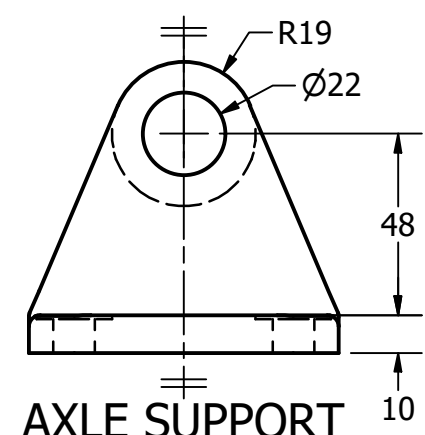
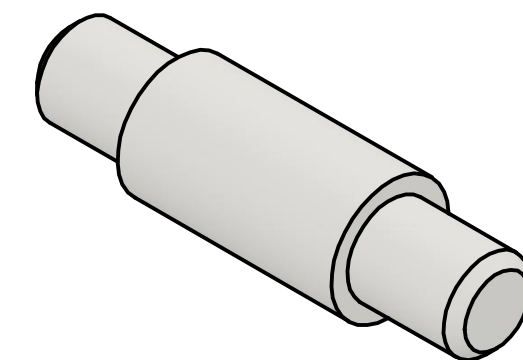
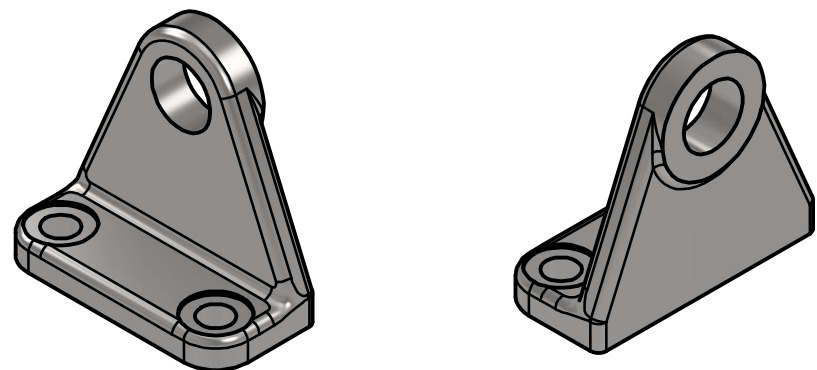
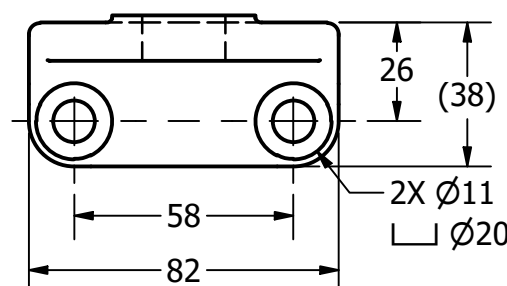




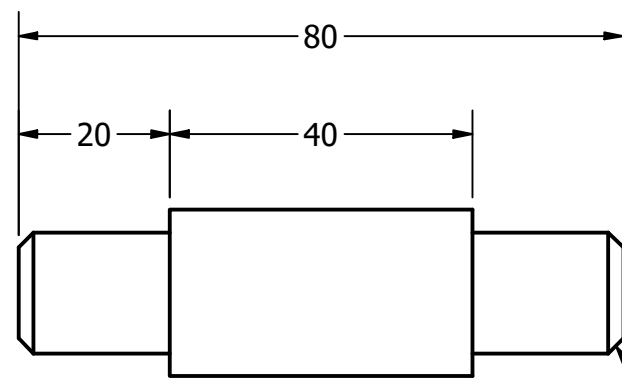
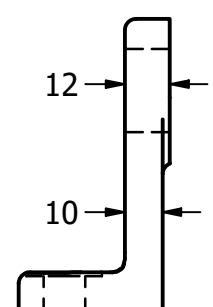
DIGITAL DESIGN
GRAPHICS
TECHNOLOGY

WWW.DDGT.NET

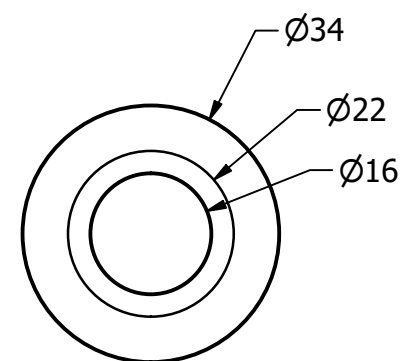
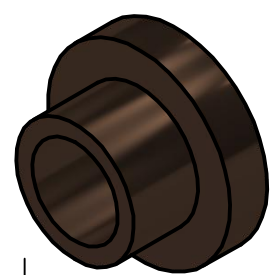
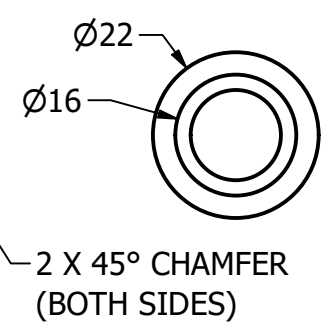
PARTS LIST		
ITEM	QTY	PART NUMBER
3	2	AXLE SUPPORT
4	1	AXLE
5	2	BUSHING



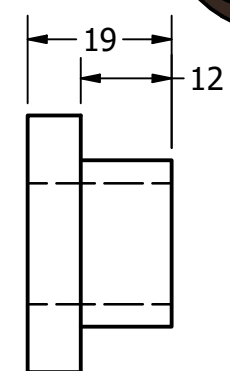
AXLE SUPPORT
SCALE 1 / 2



AXLE
SCALE 1 : 1



BUSHING
SCALE 1 : 1



GENERAL NOTES:

FASTEN ASSEMBLY TO A 6mm STEEL PLATE BY FOUR M10 X 40mm LONG HEX HEAD BOLTS, NUTS, AND LOCK WASHERS (NOT SHOWN).

ROUNDS AND FILLETS R3 UNLESS OTHERWISE STATED

LEGEND:

- ∅ DIAMETER
- R RADIUS
- ° DEGREES
- COUNTERBORE/
SPOTFACE

METRIC

TOLERANCES UNLESS SPECIFIED:
MILLIMETERS:
WHOLE NUMBERS = ±.5
X = ±.25
XX = ±.12
FRACTIONAL ±1/64"
ANGLES ± 1 DEGREE
SURFACES ³²✓

CLASS:	DDGT 120
ASSIGNMENT #:	67
INVENTOR DRAWING NAME:	CASTER
FIG #:	9-51
MANAGER:	G. STROMMEN
DRAFTER:	M. ALCANTARA
DATE:	11/24/2025
SCALE:	AS NOTED
PAGE #:	4 OF 4