

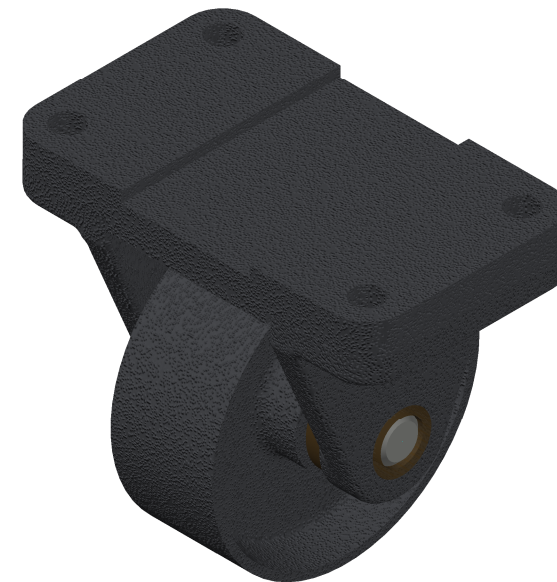
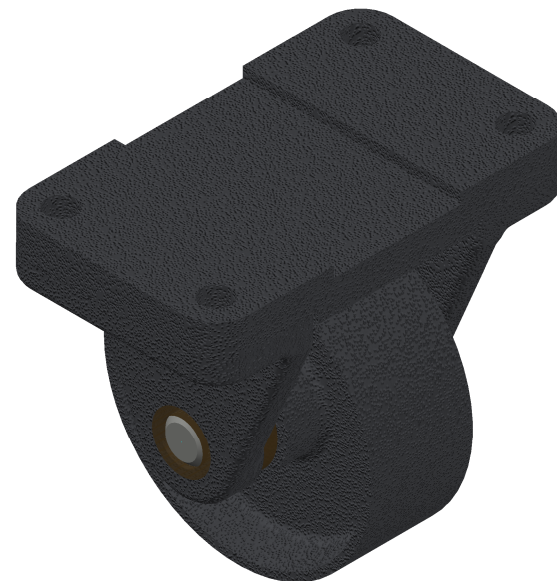
PARTS LIST

ITEM	QTY.	PART NAME	MATERIAL	DESCRIPTION
1	1	TOP PLATE	MALLEABLE IRON	DESCRIPTION
2	1	WHEEL	MALLEABLE IRON	
3	2	AXLE SUPPORT	MALLEABLE IRON	
4	1	AXLE	SAE 100	
5	2	BUSHING	BRONZE	

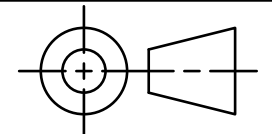


DIGITAL DESIGN
GRAPHICS
TECHNOLOGY

WWW.DDGT.NET



CASTER ASSEMBLY SCALE 1:2



TOLERANCES UNLESS SPECIFIED:
MILLIMETERS:
WHOLE NUMBERS =±.5
X =±.25
XX =±.12
FRACTIONAL ±1/64"
ANGLES ±1 DEGREE
SURFACES 32/

CLASS: DDGT120

ASSIGNMENT #: 60

AUTOCAD DRAWING NAME:
CASTER ASSEMBLY

FIG #: 9-51

MANAGER: G. STROMMEN

DRAFTER: J. GALLAGHER

DATE: 12/2/2025

SCALE: 1:2

PAGE #: 1 OF 4

LEGEND	
SYMBOL	DESCRIPTION
∅	DIAMETER
R	RADIUS
°	DEGREES
	COUNTERBORE / SPOTFACE

METRIC

GENERAL NOTES:

FASTEN TO ASSEMBLY TO A 6mm STEEL PLATE BY FOUR M10 X 40mm LG HEX HD BOLTS, NUTS AND LOCK WASHERS, SHOW THE STEEL PLATE IN PHANTOM LINES.
ROUNDS AND FILLETS R3

PARTS LIST

ITEM	QTY.	PART NAME	MATERIAL
1	1	TOP PLATE	MALLEABLE IRON
2	1	WHEEL	MALLEABLE IRON
3	2	AXLE SUPPORT	MALLEABLE IRON
4	1	AXLE	SAE 100
5	2	BUSHING	BRONZE

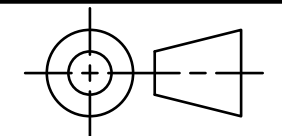
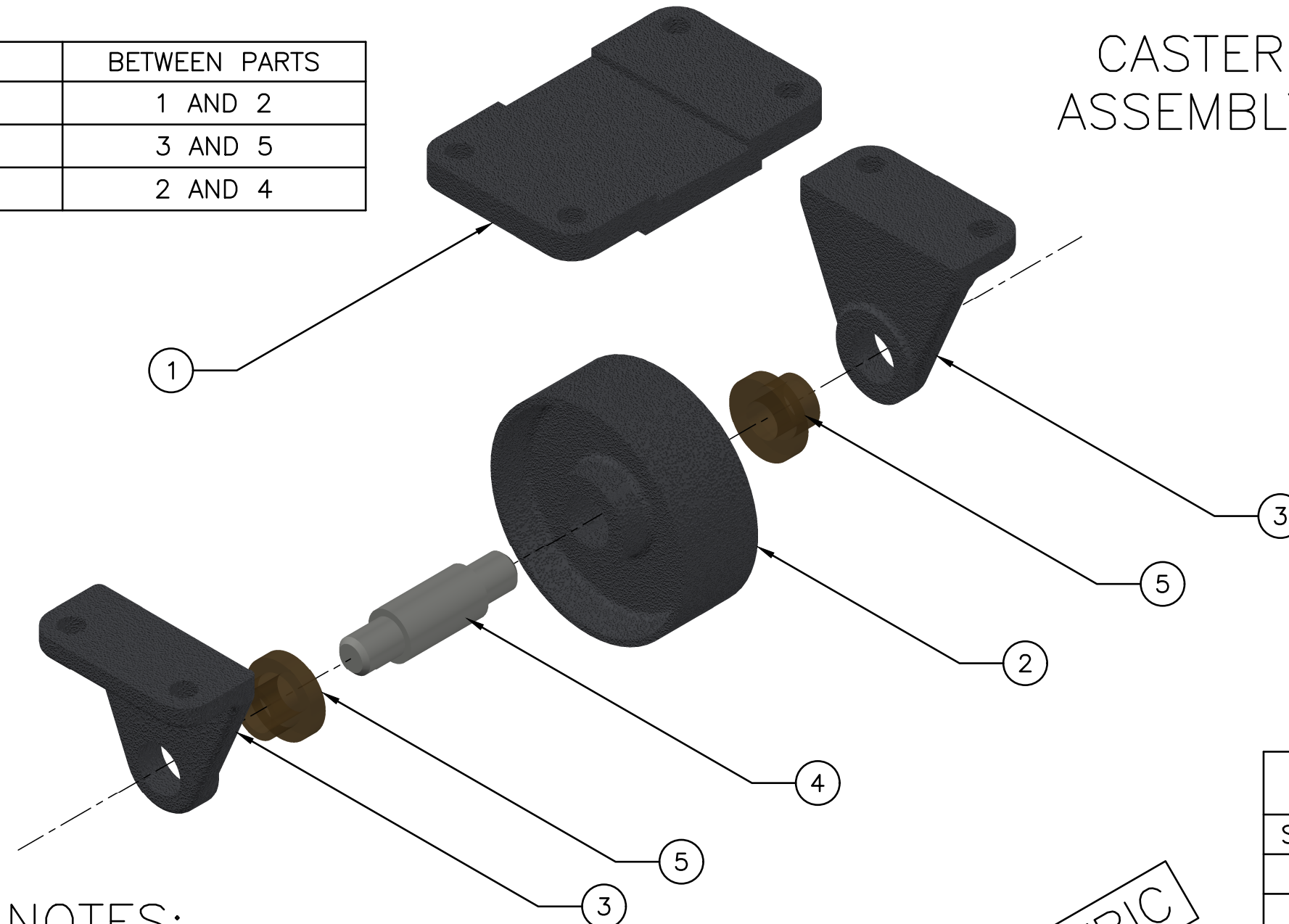


DIGITAL DESIGN
GRAPHICS
TECHNOLOGY

WWW.DDGT.NET

FIT	BETWEEN PARTS
H8/f7	1 AND 2
H7/p6	3 AND 5
H8/f7	2 AND 4

CASTER EXPLODED
ASSEMBLY SCALE 1:2



TOLERANCES UNLESS SPECIFIED:
MILLIMETERS:
WHOLE NUMBERS = ±.5
X = ±.25
XX = ±.12
FRACTIONAL ±1/64"
ANGLES ±1 DEGREE
SURFACES 32/

CLASS: DDGT120

ASSIGNMENT #: 60

AUTOCAD DRAWING NAME:
CASTER ASSEMBLY

FIG #: 9-51

MANAGER: G. STROMMEN

DRAFTER: J. GALLAGHER

DATE: 12/2/2025

SCALE: 1:2

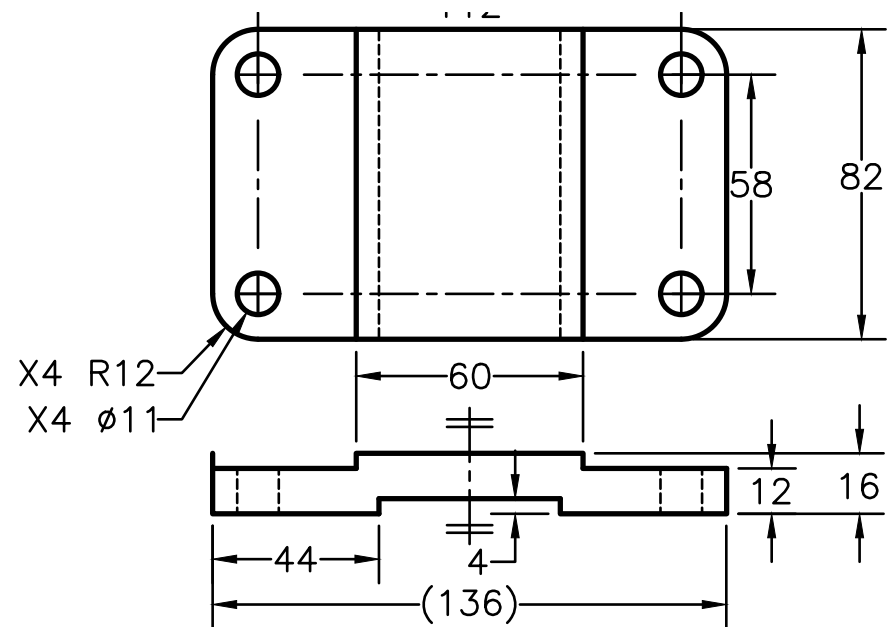
PAGE #: 2 OF 4

GENERAL NOTES:

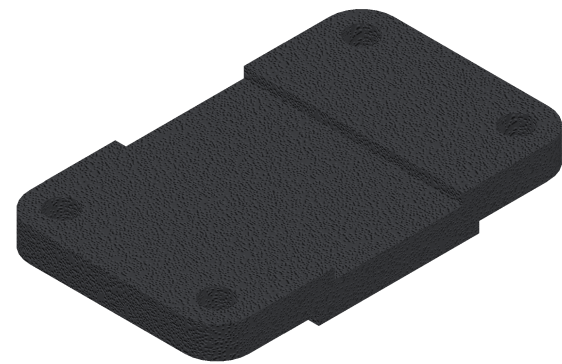
FASTEN TO ASSEMBLY TO A 6mm STEEL PLATE BY FOUR M10 X 40mm LG HEX HD BOLTS, NUTS AND LOCK WASHERS, SHOW THE STEEL PLATE IN PHANTOM LINES.
ROUNDS AND FILLETS R3

METRIC

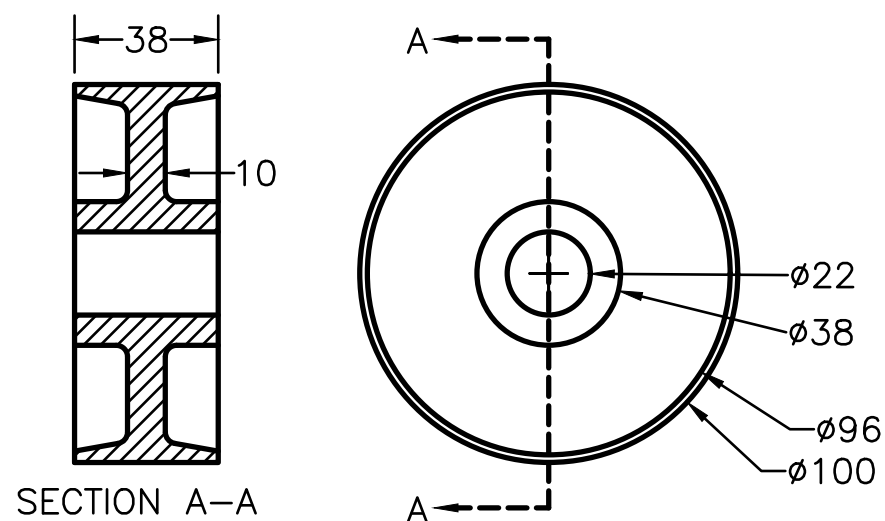
LEGEND	
SYMBOL	DESCRIPTION
∅	DIAMETER
R	RADIUS
°	DEGREES
	COUNTERBORE / SPOTFACE



TOP CENTER
SCALE 1:2



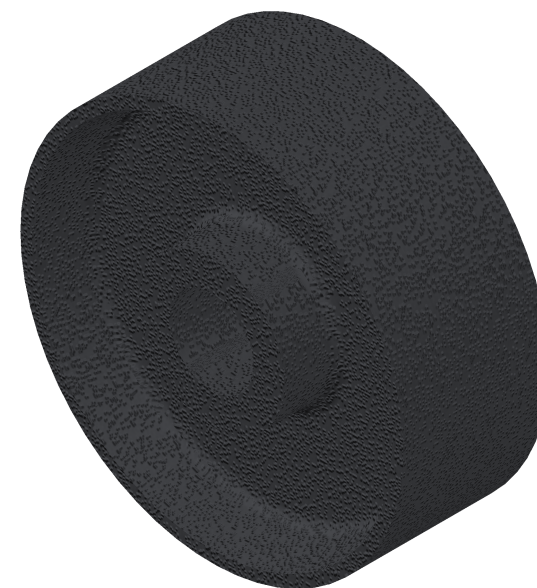
TOP CENTER — 3D
SCALE 1:2



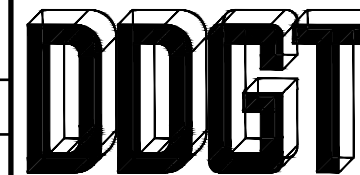
SECTION A-A

WHEEL SCALE 1:2

PARTS LIST		
ITEM	QTY.	PART NAME
1	1	TOP PLATE
2	1	WHEEL

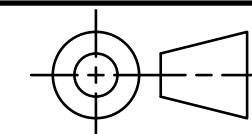


WHEEL — 3D
SCALE 1:2



DIGITAL DESIGN
GRAPHICS
TECHNOLOGY

WWW.DDGT.NET



TOLERANCES UNLESS SPECIFIED:
MILLIMETERS:
WHOLE NUMBERS = ±.5
X = ±.25
XX = ±.12
FRACTIONAL ±1/64"
ANGLES ±1 DEGREE
SURFACES 32/

CLASS: DDGT120

ASSIGNMENT #: 60

AUTOCAD DRAWING NAME:
CASTER ASSEMBLY

FIG #: 9-51

MANAGER: G. STROMMEN

DRAFTER: J. GALLAGHER

DATE: 12/2/2025

SCALE: 1:2

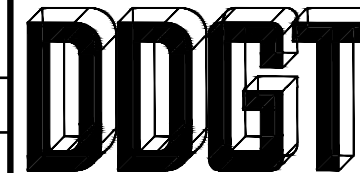
PAGE #: 3 OF 4

GENERAL NOTES:

FASTEN TO ASSEMBLY TO A 6mm STEEL PLATE BY FOUR M10 X 40mm LG HEX HD BOLTS, NUTS AND LOCK WASHERS, SHOW THE STEEL PLATE IN PHANTOM LINES.
ROUNDS AND FILLETS R3

METRIC

LEGEND	
SYMBOL	DESCRIPTION
∅	DIAMETER
R	RADIUS
°	DEGREES
	COUNTERBORE / SPOTFACE

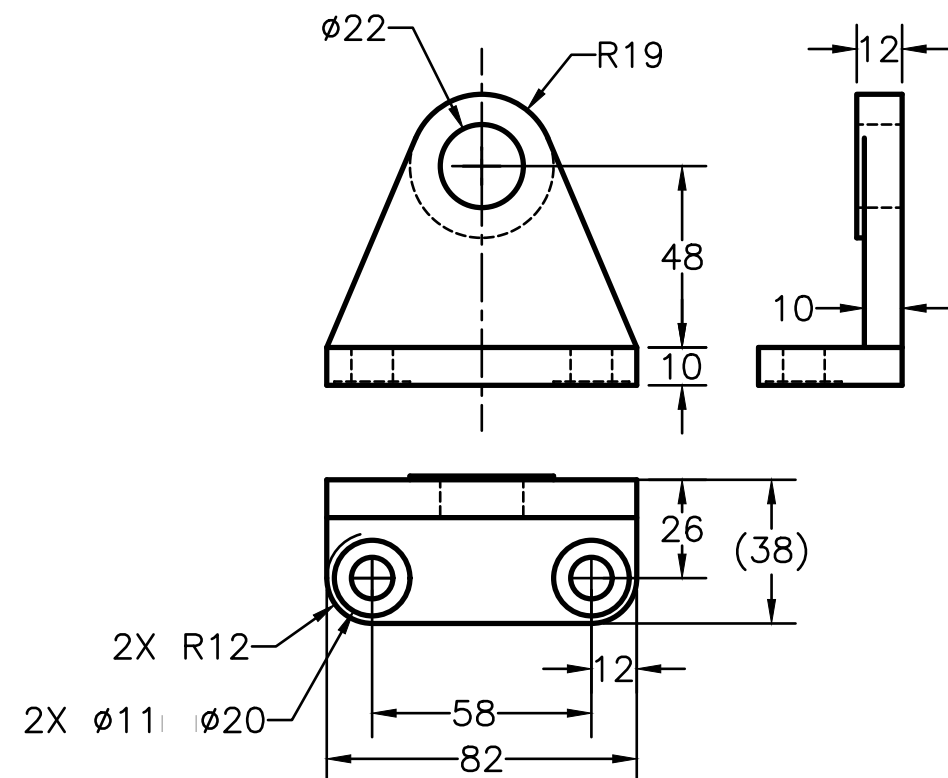


DIGITAL DESIGN
GRAPHICS
TECHNOLOGY

WWW.DDGT.NET

PARTS LIST

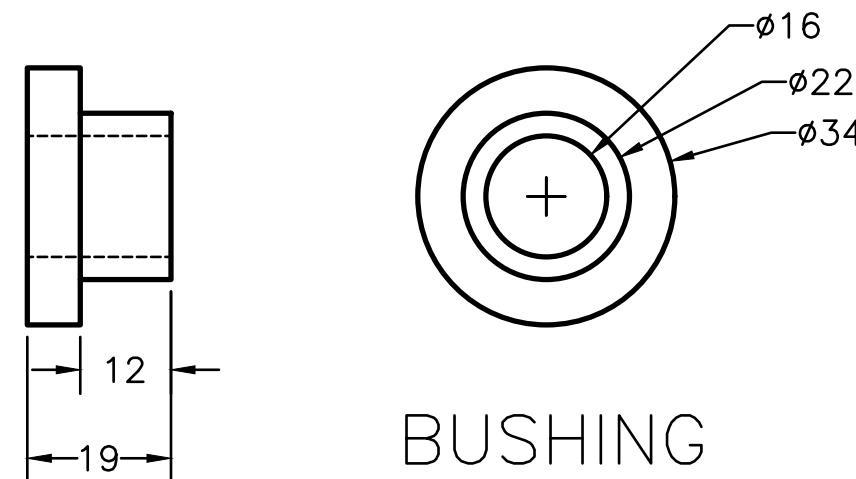
ITEM	QTY.	PART NAME
3	2	AXLE SUPPORT
4	1	AXLE
5	2	BUSHING



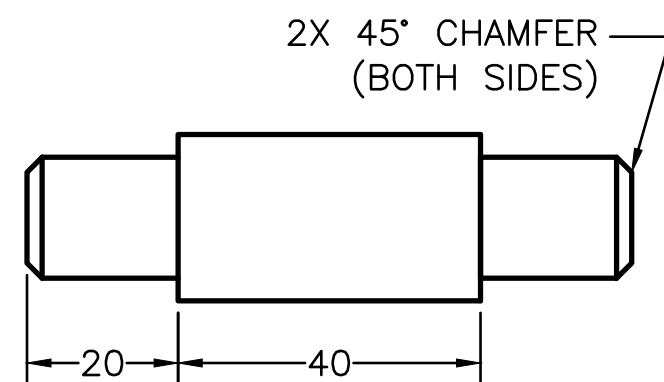
AXLE SUPPORT
SCALE 1:2



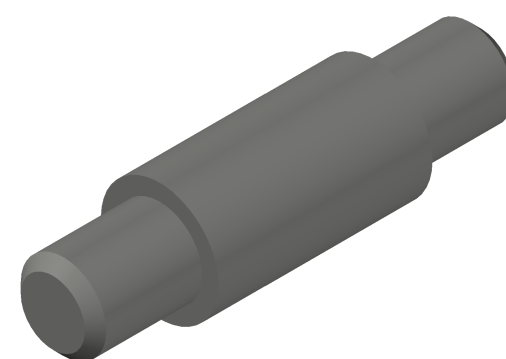
AXLE SUPPORT 3D VIEWS
SCALE 1:2



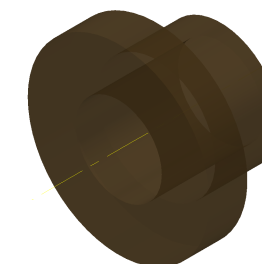
BUSHING
SCALE 1:1



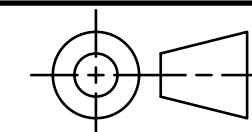
AXLE SCALE 1:1



AXEL 3D VIEW
SCALE 1:1



BUSHING - 3D
SCALE 1:1



TOLERANCES UNLESS SPECIFIED:
MILLIMETERS:
WHOLE NUMBERS = ±.5
X = ±.25
XX = ±.12
FRACTIONAL ±1/64"
ANGLES ±1 DEGREE
SURFACES 32/

CLASS: DDGT120

ASSIGNMENT #: 60

AUTOCAD DRAWING NAME:
CASTER ASSEMBLY

FIG #: 9-51

MANAGER: G. STROMMEN

DRAFTER: J. GALLAGHER

DATE: 12/2/2025

SCALE: 1:2

PAGE #: 4 OF 4

GENERAL NOTES:

FASTEN TO ASSEMBLY TO A 6mm STEEL PLATE BY FOUR M10 X 40mm LG HEX HD BOLTS, NUTS AND LOCK WASHERS, SHOW THE STEEL PLATE IN PHANTOM LINES.
ROUNDS AND FILLETS R3

METRIC

LEGEND	
SYMBOL	DESCRIPTION
∅	DIAMETER
R	RADIUS
°	DEGREES
	COUNTERBORE / SPOTFACE