

LEGEND

SYMBOL	DESCRIPTION
∅	DIAMETER
R	RADIUS
°	DEGREES

PARTS LIST

ITEM	QTY.	PART NAME	MATERIAL	DESCRIPTION
1	1	AXLE	STEEL	
2	1	BUSHING	BRONZE	
3	1	HUB	ALUMINUM	
4	1	COLLAR	ALUMINUM	
5	2	PANEL RING	ALUMINUM	
6	1	WHEEL	HARD RUBBER	
7	6	RIVETS	STANDARD	∅.31, 1.00" INSIDE LENGTH, EQUALLY SPACED
8	2	WASHERS	STANDARD	I.D. 1.00", O.D 2.12", .18" THICK
9	1	SPRING PIN	STANDARD	∅.25, 1.875" LONG

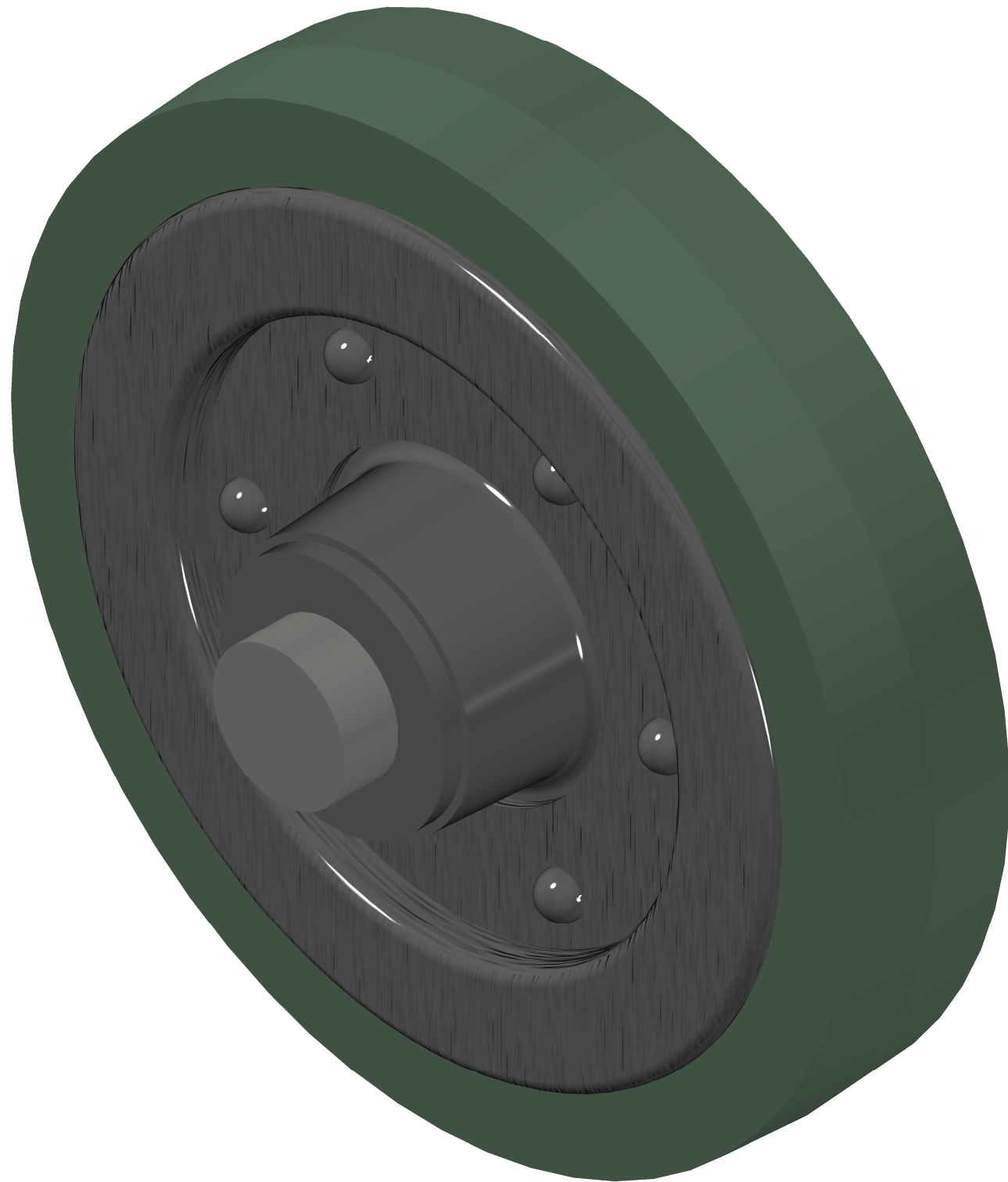


DIGITAL DESIGN GRAPHICS TECHNOLOGY

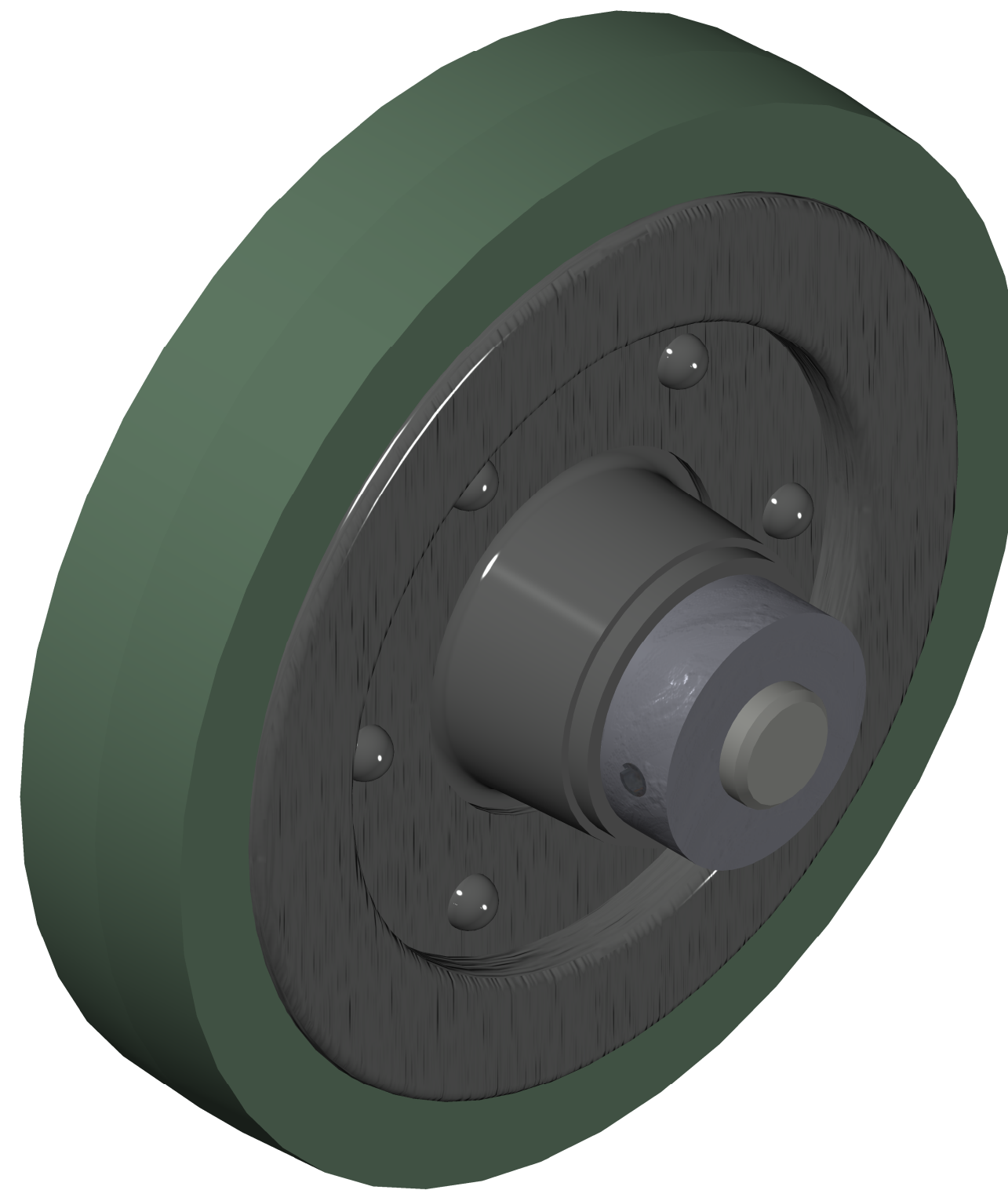
WWW.DDGT.NET

GENERAL NOTES:

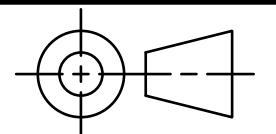
ALL FILLETS HAVE R.125" UNLESS OTHERWISE NOTED  
 ALL CHAMFERS ARE .06" X 45" UNLESS OTHERWISE STATED



WHEEL ASSEMBLY  
SCALE 1:1



WHEEL ASSEMBLY (ALT VIEW)  
SCALE 1:1



TOLERANCES UNLESS SPECIFIED:  
 DECIMAL INCHES:  
 X = ±.020  
 XX = ±.010  
 XXX = ±.005  
 FRACTIONAL ±1/64"  
 ANGLES ±1 DEGREE  
 SURFACES 32/

CLASS: DDGT121

ASSIGNMENT #: 09

AUTOCAD DRAWING NAME:  
WHEEL ASSEMBLY

FIG #: 11-55

MANAGER: G. STROMMEN

DRAFTER: J. GALLAGHER

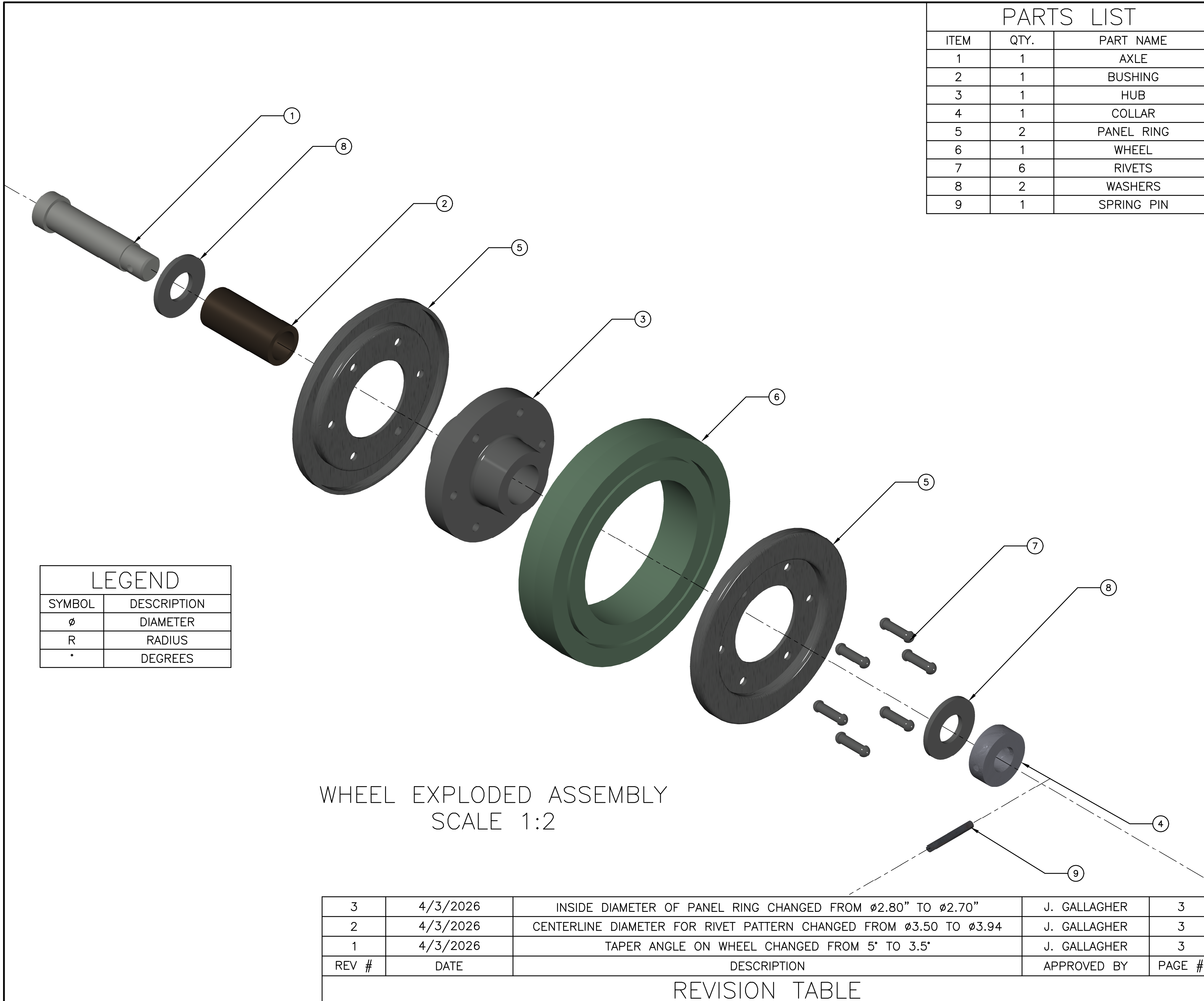
DATE: 4/3/2026

SCALE: AS NOTED

PAGE #: 1 OF 3

REV #	DATE	DESCRIPTION	APPROVED BY	PAGE #
3	4/3/2026	INSIDE DIAMETER OF PANEL RING CHANGED FROM ∅2.80" TO ∅2.70"	J. GALLAGHER	3
2	4/3/2026	CENTERLINE DIAMETER FOR RIVET PATTERN CHANGED FROM ∅3.50 TO ∅3.94	J. GALLAGHER	3
1	4/3/2026	TAPER ANGLE ON WHEEL CHANGED FROM 5° TO 3.5°	J. GALLAGHER	3

REVISION TABLE



PARTS LIST		
ITEM	QTY.	PART NAME
1	1	AXLE
2	1	BUSHING
3	1	HUB
4	1	COLLAR
5	2	PANEL RING
6	1	WHEEL
7	6	RIVETS
8	2	WASHERS
9	1	SPRING PIN

**DDGT**  
 DIGITAL DESIGN  
 GRAPHICS  
 TECHNOLOGY  
 WWW.DDGT.NET

GENERAL NOTES:  
 ALL FILLETS HAVE  
 R.125" UNLESS  
 OTHERWISE NOTED  
 ALL CHAMFERS ARE  
 .06" X 45" UNLESS  
 OTHERWISE STATED

LEGEND	
SYMBOL	DESCRIPTION
∅	DIAMETER
R	RADIUS
°	DEGREES

WHEEL EXPLODED ASSEMBLY  
 SCALE 1:2

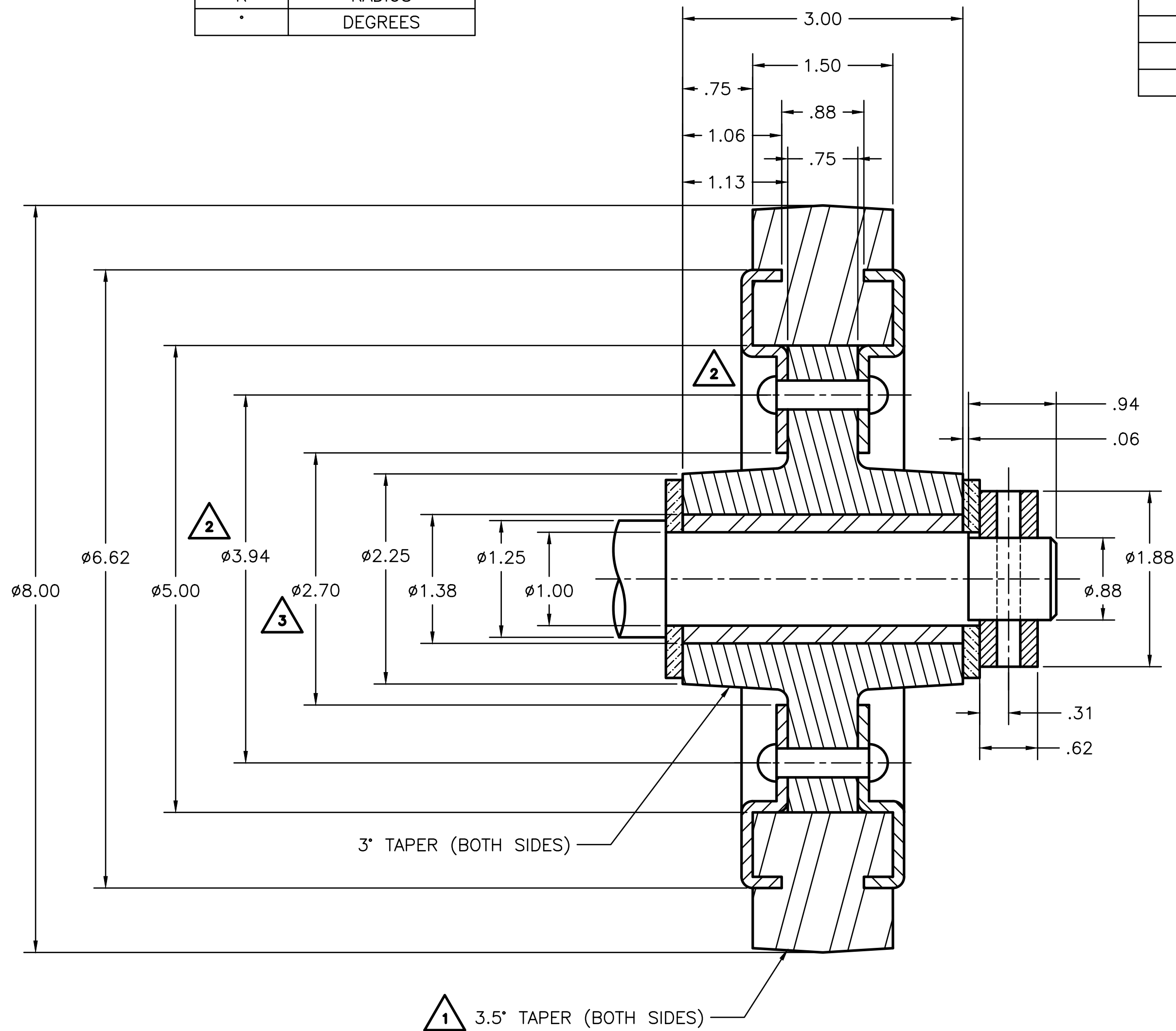
TOLERANCES UNLESS SPECIFIED:  
 DECIMAL INCHES:  
 X = ±.020  
 XX = ±.010  
 XXX = ±.005  
 FRACTIONAL ±1/64"  
 ANGLES ±1 DEGREE  
 SURFACES 32/

CLASS: DDGT121  
 ASSIGNMENT #: 09  
 AUTOCAD DRAWING NAME:  
 WHEEL ASSEMBLY  
 FIG #: 11-55  
 MANAGER: G. STROMMEN  
 DRAFTER: J. GALLAGHER  
 DATA: 4/3/2026  
 SCALE: AS NOTED  
 PAGE #: 2 OF 3

REV #	DATE	DESCRIPTION	APPROVED BY	PAGE #
3	4/3/2026	INSIDE DIAMETER OF PANEL RING CHANGED FROM ∅2.80" TO ∅2.70"	J. GALLAGHER	3
2	4/3/2026	CENTERLINE DIAMETER FOR RIVET PATTERN CHANGED FROM ∅3.50 TO ∅3.94	J. GALLAGHER	3
1	4/3/2026	TAPER ANGLE ON WHEEL CHANGED FROM 5° TO 3.5°	J. GALLAGHER	3

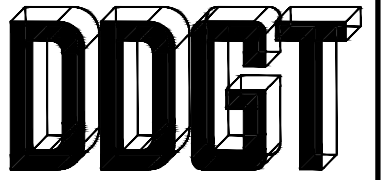
REVISION TABLE

LEGEND	
SYMBOL	DESCRIPTION
∅	DIAMETER
R	RADIUS
°	DEGREES



### PARTS LIST

ITEM	QTY.	PART NAME
1	1	AXLE
2	1	BUSHING
3	1	HUB
4	1	COLLAR
5	2	PANEL RING
6	1	WHEEL
7	6	RIVETS
8	2	WASHERS
9	1	SPRING PIN

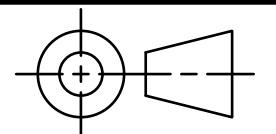


DIGITAL DESIGN  
GRAPHICS  
TECHNOLOGY

WWW.DDGT.NET

GENERAL NOTES:

ALL FILLETS HAVE  
R.125" UNLESS  
OTHERWISE NOTED  
ALL CHAMFERS ARE  
.06" X 45" UNLESS  
OTHERWISE STATED



TOLERANCES UNLESS SPECIFIED:  
DECIMAL INCHES:  
X = ±.020  
XX = ±.010  
XXX = ±.005  
FRACTIONAL ±1/64"  
ANGLES ±1 DEGREE  
SURFACES 32/

CLASS: DDGT121

ASSIGNMENT #: 09

AUTOCAD DRAWING NAME:  
WHEEL ASSEMBLY

FIG #: 11-55

MANAGER: G. STROMMEN

DRAFTER: J. GALLAGHER

DATE: 4/3/2026

SCALE: AS NOTED

PAGE #: 3 OF 3

REV #	DATE	DESCRIPTION	APPROVED BY
3	4/3/2026	INSIDE DIAMETER OF PANEL RING CHANGED FROM ∅2.80" TO ∅2.70"	J. GALLAGHER
2	4/3/2026	CENTERLINE DIAMETER FOR RIVET PATTERN CHANGED FROM ∅3.50 TO ∅3.94	J. GALLAGHER
1	4/3/2026	TAPER ANGLE ON WHEEL CHANGED FROM 5° TO 3.5°	J. GALLAGHER

### REVISION TABLE