

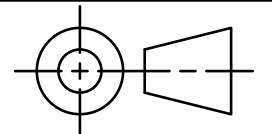
PARTS LIST

ITEM	QTY.	PART NAME	MATERIAL
1	1	CASING	SAE 1012



DIGITAL DESIGN
GRAPHICS
TECHNOLOGY

WWW.DDGT.NET



TOLERANCES UNLESS SPECIFIED:
DECIMAL INCHES:
X = ±.020
XX = ±.010
XXX = ±.005
FRACTIONAL ±1/64"
ANGLES ±1 DEGREE
SURFACES 32/

CLASS: DDGT-120

ASSIGNMENT #: 57

AUTOCAD DRAWING NAME:
CASING

FIG #: 9-39

MANAGER: G. STROMMEN

DRAFTER: L. MELBY

DATE: 12/7/2025

SCALE: 1:2

PAGE #: 1 OF 1

LEGEND

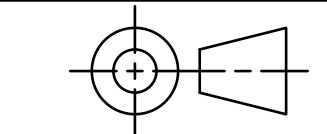
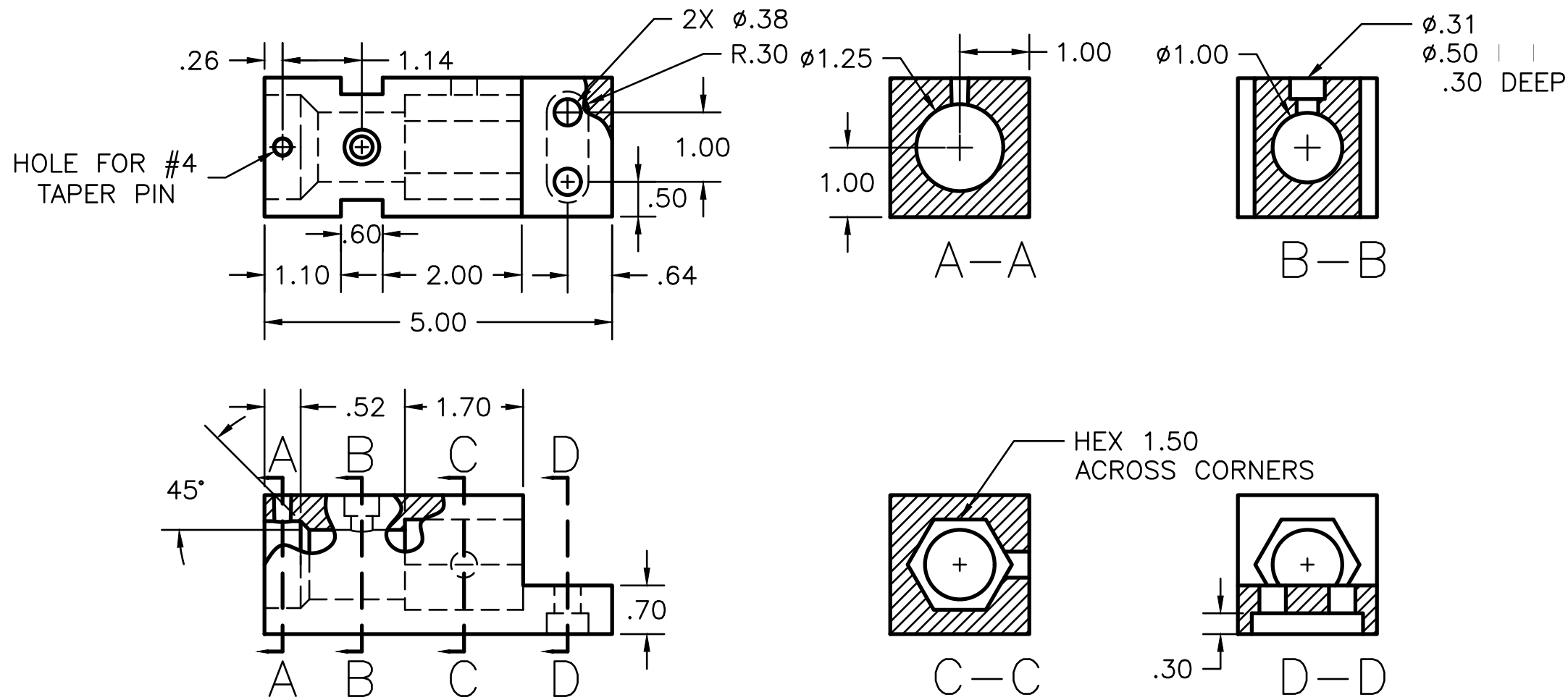
SYMBOL	DESCRIPTION
∅	DIAMETER
R	RADIUS
°	DEGREES
	COUNTERBORE / SPOTFACE

PARTS LIST		
ITEM	QTY.	PART NAME
1	1	CASING



DIGITAL DESIGN
GRAPHICS
TECHNOLOGY

WWW.DDGT.NET



TOLERANCES UNLESS SPECIFIED:
DECIMAL INCHES:
X = \pm .020
XX = \pm .010
XXX = \pm .005
FRACTIONAL \pm 1/64"
ANGLES \pm 1 DEGREE
SURFACES $\frac{32}{\sqrt{\quad}}$

CLASS: DDGT-120

ASSIGNMENT #: 57

AUTOCAD DRAWING NAME:
CASING

FIG #: 9-39

MANAGER: G. STROMMEN

DRAFTER: L. MELBY

DATE: 12/7/2025

SCALE: 1:2

PAGE #: 2 OF 2

LEGEND	
SYMBOL	DESCRIPTION
ϕ	DIAMETER
R	RADIUS
°	DEGREES
	COUNTERBORE / SPOTFACE